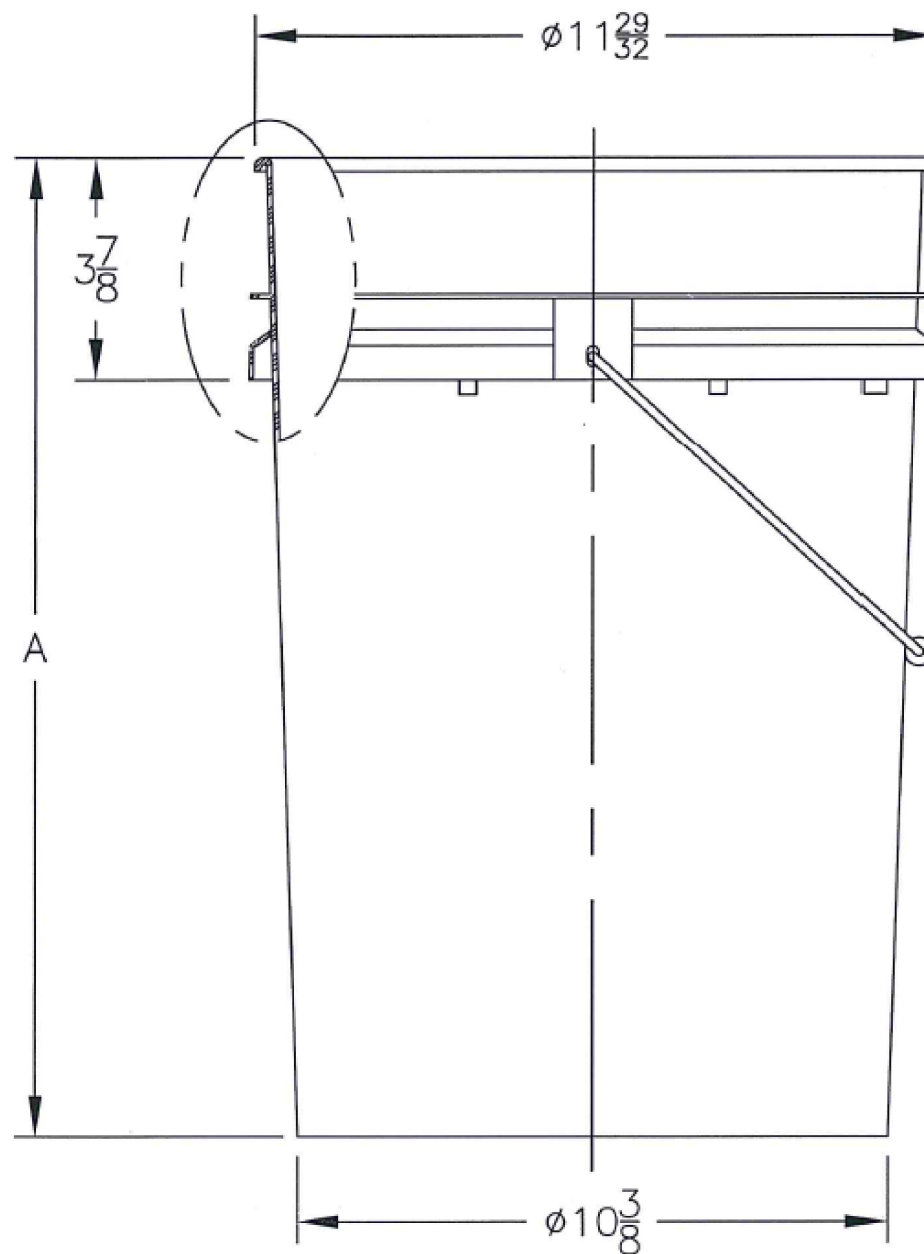


MOLD #	A
53	17 $\frac{1}{4}$
67	17 $\frac{3}{8}$



**NOTES:**  
**WEIGHT:**  
 \*-1060 GRAMS  
**WALL THICKNESS:**  
 \*-.090  
**MATERIAL:**  
 \*-PREMIUM HDPE INJECTION RESIN  
 \*-AVAILABLE IN A WIDE RANGE OF COLORS  
 TO MEET CUSTOMER NEEDS  
**DECORATION:**  
 \*-MULTIPLE PRINT & LABEL OPTIONS AVAILABLE

**DISCLAIMER**

THIS INFORMATION IS PROVIDED AS A GENERAL GUIDE, INCLUDING DIMENSIONS. IT IS THE CUSTOMER'S RESPONSIBILITIES TO SELECT THE PROPER CONTAINER FOR PRODUCT AND APPLICATION COMPATIBILITY.

DISTRIBUTED BY:



DWG NO.:

DWG10170

DESCRIPTION:

6 gallon HDPE Open Head Pail