

5.0 Gallon 90mil UN Pail

Multiple Uses

UN-liquids rated in US and Canada to 1.5 SpGr, 30kPa (Y1.5/30)
UN Solids rated in US to Y43/S
May also be used for non-hazardous liquids and solids.

Product Codes

Container: **5500 Series, 55100**

Description: 5-gallon UN Pail

Features

Gauge: 90 mil.
Nominal capacity: 5.0 USG / 19.0 L
Stack performance: 350 lbs.*
Tare weights: Body: 2.08 lbs. / .948 kgs

Note: *Ratings will be reduced with uneven load distribution.

Specifications with Cover

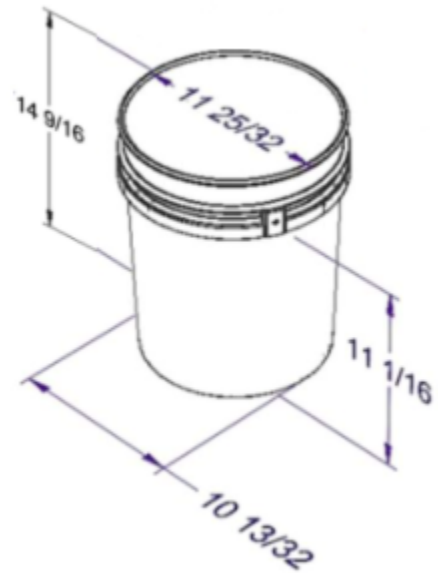
Dimensions: 12-5/16" D X 14-11/16"H
Maximum capacity: 5.3 USG / 20.2 L
Tare weight: 2.85 lbs. / 1.29 kgs.

Colors

Standard: White, Black and Natural
Custom: Available at manufacturer's discretion

Decorating Options

Four color offset printing
Print area: 33"W x 8-1/2"H
Sleeve or pressure sensitive labeling



Shipping Data

Qty. per pallet/carton: 240*
Gross Weight (lbs/kgs.)**: 499 / 226
Length (in./cm.): 48 / 122
Width (in./cm.): 36 / 91.4
Height (in./cm.): 45 / 114

Bodies

Filled Containers

36 (12 per layer / 3 layers high)
Pallet Height: 47"

Estimated truckload quantity of 5,520 bodies and covers***

Notes: *Quantity can vary based on customer request
**Weight does not include pallet/packaging
***Truckload quantity based on 53' trailer

Materials

FDA approved materials
Resin: Body: High-Density Polyethylene (HDPE)

Optional Carrying Handle

Wire or Plastic

DISCLAIMER

THIS INFORMATION IS PROVIDED AS A GENERAL GUIDE, INCLUDING DIMENSIONS. IT IS THE CUSTOMER'S RESPONSIBILITIES TO SELECT THE PROPER CONTAINER FOR PRODUCT AND APPLICATION COMPATIBILITY.

DISTRIBUTED BY:



REF NO.:

DWG20006

DESCRIPTION:

5 Gallon HDPE Open Head Pail, 90 Mil, UN Rated