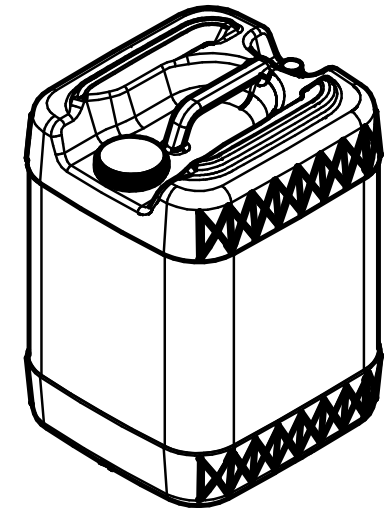
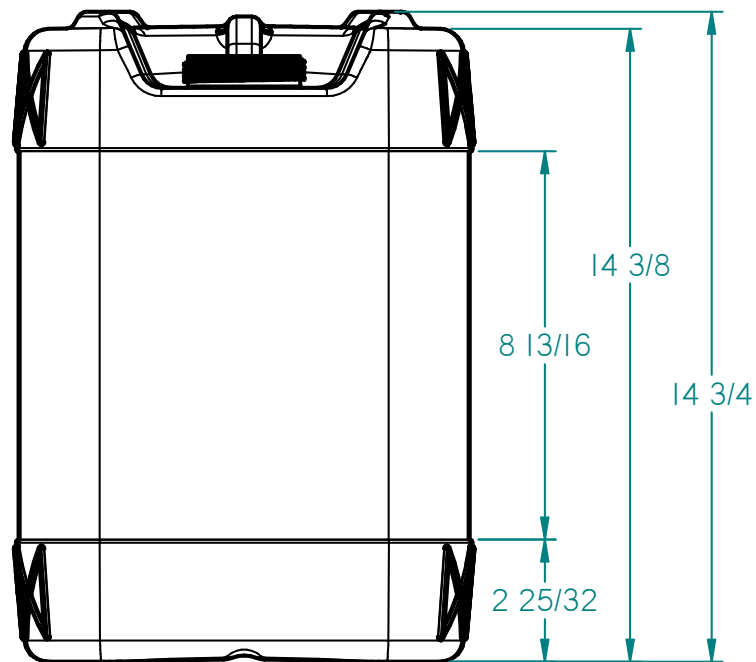


NOTES:

1. MATERIAL: BLOW MOLD HDPE RESIN
2. RATED CAPACITY: 20 LITERS (5.3G)
3. OVERFLOW CAPACITY: 21.3 LITERS (5.6G)
4. UN RATED: Y1.8/100
5. TARE WEIGHT TARGET: 1250g
6. TARE WEIGHT RANGE: 1225-1275g
7. MINIMUM WALL THICKNESS: 0.045"



**DISCLAIMER**

THIS INFORMATION IS PROVIDED AS A GENERAL GUIDE, INCLUDING DIMENSIONS. IT IS THE CUSTOMER'S RESPONSIBILITIES TO SELECT THE PROPER CONTAINER FOR PRODUCT AND APPLICATION COMPATIBILITY.

DISTRIBUTED BY:



REF NO.:

DWG31557

DESCRIPTION:

20 liter Blue HDPE Square Tight Head, 70 mm & Closed Vent, UN Rated