

4.0 Gallon Rectangular Tight Head with Swing Handle

Product Uses

Liquid Products

Product Codes

Rectangular Tight Head: **RTH Series**

Multiple Neck Finishes and Vent Options

Features

UN Rating: 3H1/Y1.8/100

Nominal capacity: 4.0 USG / 15.14 L

Maximum capacity: 4.25 USG / 16.10 L

Colors

Standard: White, Black, Blue and Natural

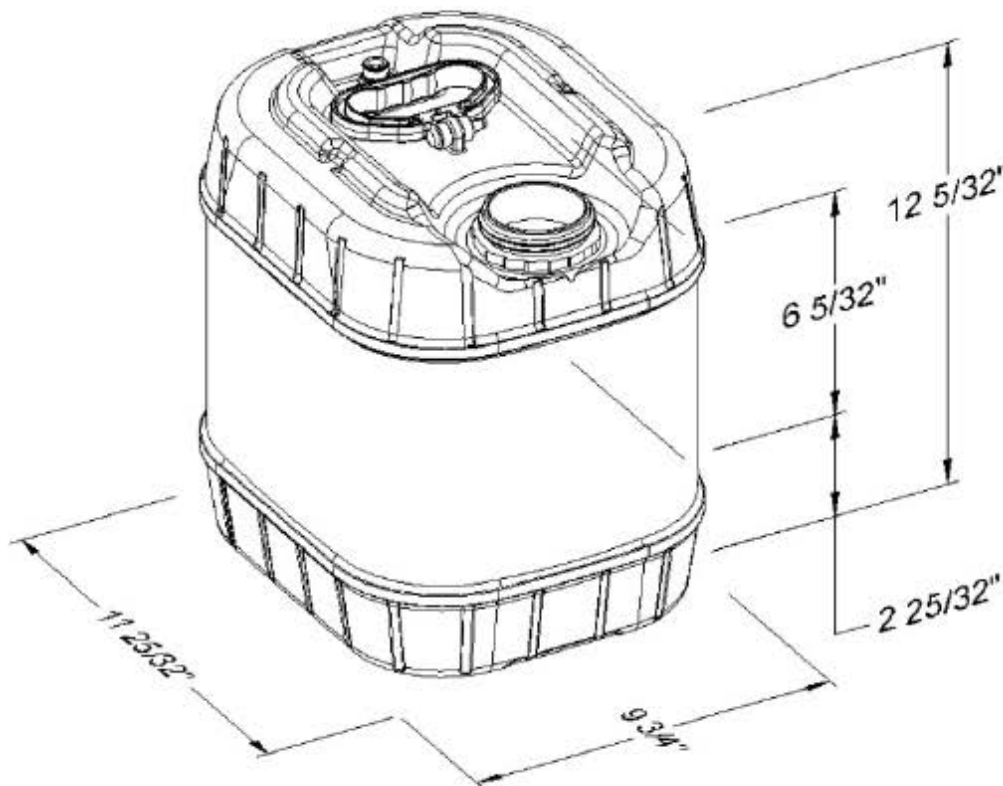
Custom: Available at manufacturer's discretion

Decorating Options

Maximum Print Area:

Perimeter = 37-29/32" X 5-29/32"H

Containers can be decorated; See Salesperson for Options



DISCLAIMER

THIS INFORMATION IS PROVIDED AS A GENERAL GUIDE, INCLUDING DIMENSIONS. IT IS THE CUSTOMER'S RESPONSIBILITIES TO SELECT THE PROPER CONTAINER FOR PRODUCT AND APPLICATION COMPATIBILITY.

DISTRIBUTED BY:



REF NO.:

DESCRIPTION: