

10L Tighthead – Standalone

Product Uses

Liquid Products

Product Codes

Standalone Tighthead

Multiple Neck Finishes and Vent Options

Features

UN Rating: 3H1/Y1.8/100

Nominal capacity: 2.64 USG / 10.0 L

Maximum capacity: 2.80 USG / 10.6 L

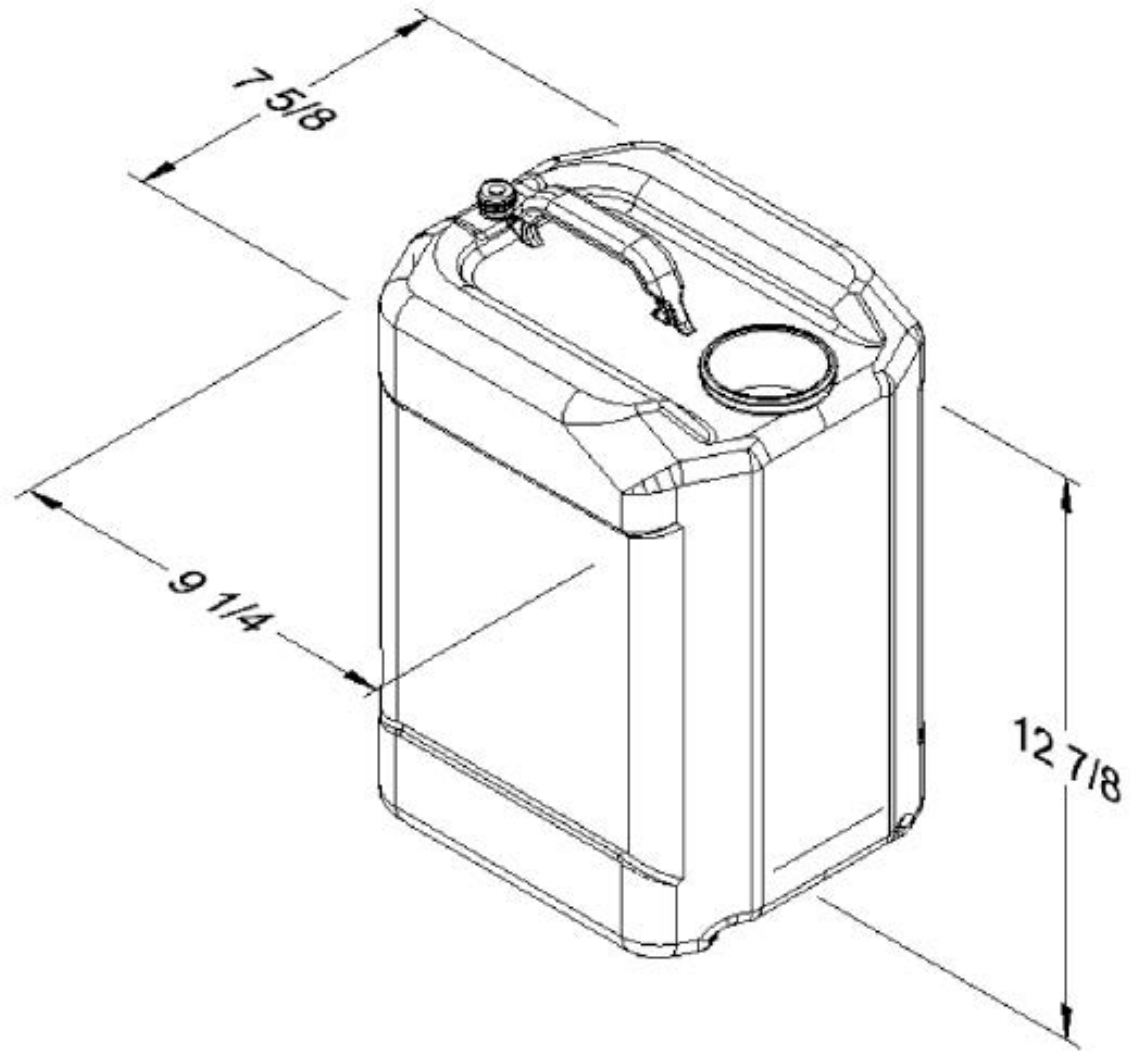
Colors

Standard: White, Black, Natural and Blue

Custom: Available at manufacturer's discretion

Decorating Options

Option not available on this product.



DISCLAIMER

THIS INFORMATION IS PROVIDED AS A GENERAL GUIDE, INCLUDING DIMENSIONS. IT IS THE CUSTOMER'S RESPONSIBILITIES TO SELECT THE PROPER CONTAINER FOR PRODUCT AND APPLICATION COMPATIBILITY.

DISTRIBUTED BY:



REF NO.:

DESCRIPTION: