

BOTTLE DESIGN:

SIZE:

WEIGHT:

NECK:

BACK VENT:

UN RATING:

SPECIAL TAG?:

MATERIAL:

COLOR:

MAIN CLOSURE:

VENT CLOSURE:

DUST CAP:

PALLETS?

PALLET QTY:

BUNDLES:

BANDING:

	RST
	20L
	1600
	70MM 6TPI TE
	No Back Vent
	Y 1.8/150
	Y 1.8/150
	HDPE
	PMS 2728
	70X 6 TPI TE
	N/A
	Yes
	48X40 B++
	30
	2880
	Yes

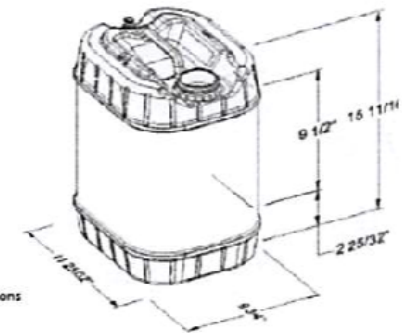
### 20 Liter Rectangular Tight Head with Integrated Handle

**Product Uses:** **Product Codes:**  
 Liquid Products: Rectangular Tight Head: RST Series  
 Multiple Neck Finishes and Vent Options

**Features**  
 UN Rating: 3H1/Y1.8/100  
 Nominal capacity: 5.283 USG / 20 L  
 Maximum capacity: 5.60 USG / 21.20 L

**Colors**  
 Standard: White, Black, Blue and Natural  
 Custom: Available at manufacturer's discretion

**Decorating Options**  
 Maximum Print Area:  
 Perimeter = 37.29/32" X 9.25"H  
 Containers can be decorated. See Salesperson for Options



Shipping Data:	Containers	Filled Containers
Qty. per floor spot:	36	Refer to BWAY document #ETS-CD-1002 for storage and shipping recommendations.
Gross Weight (lbs./kgs.)**:	270 / 123	Notes:
Length (in./cm.):	47.125 / 120	*Quantity can vary based on customer request
Width (in./cm.):	34.3438 / 90	**Weight does not include pallet/packaging
Height (in./cm.):	96 / 248	***Based on 53' trailer and standard pallet quantities
Approximate truckload quantity of 2880 pails and covers***		

**Materials**  
 FDA approved materials  
 Resin: HDPE  
 MSDS Sheets and Technical Bulletin available upon request

Handle - Integrated into Body



#### DISCLAIMER

THIS INFORMATION IS PROVIDED AS A GENERAL GUIDE, INCLUDING DIMENSIONS. IT IS THE CUSTOMER'S RESPONSIBILITIES TO SELECT THE PROPER CONTAINER FOR PRODUCT AND APPLICATION COMPATIBILITY.

DISTRIBUTED BY:



REF NO.:

DWG30583

DESCRIPTION:

20 liter Blue HDPE Square Tight Head, 70 mm & No Vent