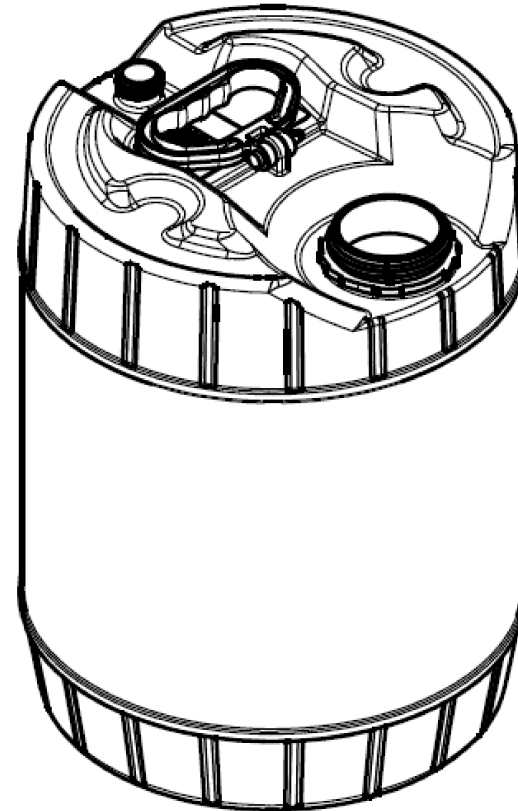
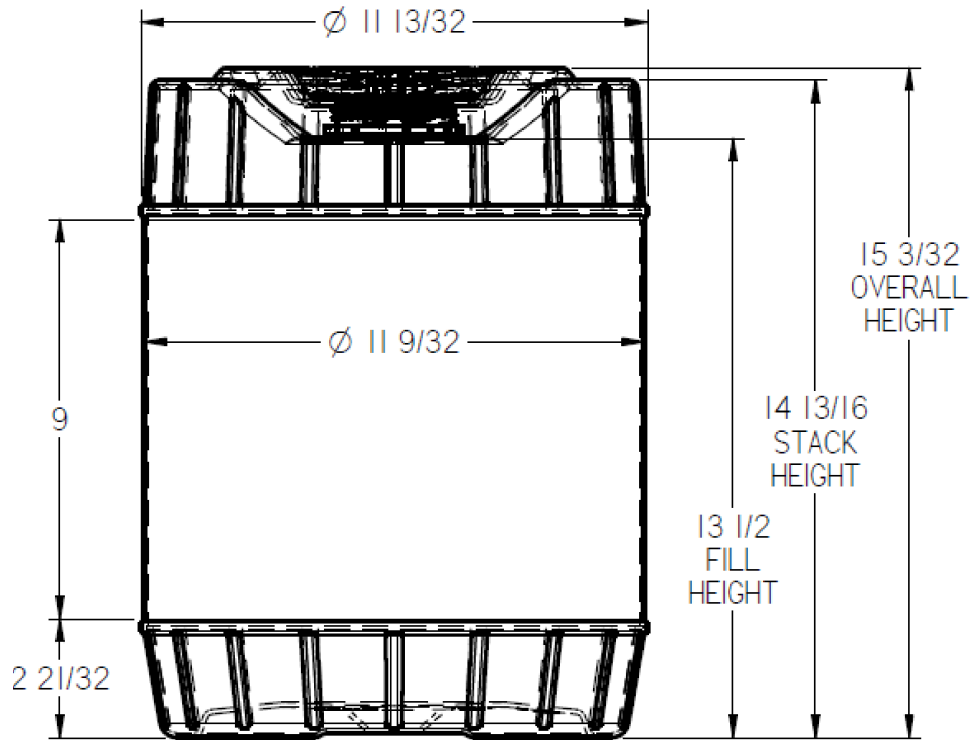


NOTES:

1. MATERIAL: HIGH MOLECULAR WEIGHT HDPE
2. ST'D COLORS: NATURAL, BLUE, WHITE (OTHER COLORS AVAILABLE BY SPECIAL ORDER)
3. RATED VOLUME: 5.0 GALLONS  
OVERFLOW VOLUME: 5.30 GALLONS



**DISCLAIMER**

THIS INFORMATION IS PROVIDED AS A GENERAL GUIDE, INCLUDING DIMENSIONS. IT IS THE CUSTOMER'S RESPONSIBILITIES TO SELECT THE PROPER CONTAINER FOR PRODUCT AND APPLICATION COMPATIBILITY.

DISTRIBUTED BY:



REF NO.:

DWG10428

DESCRIPTION:

5 Gal HDPE Round Tighthead Pail