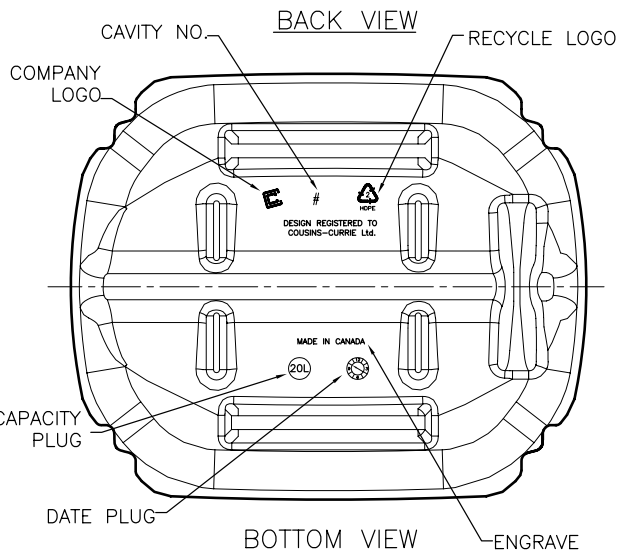
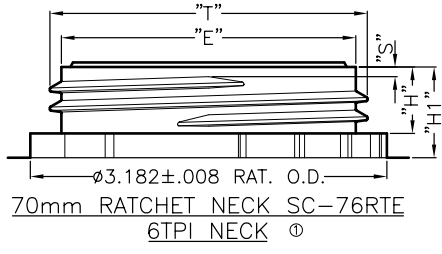
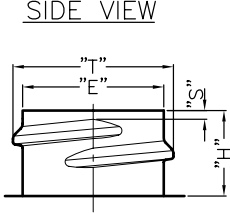
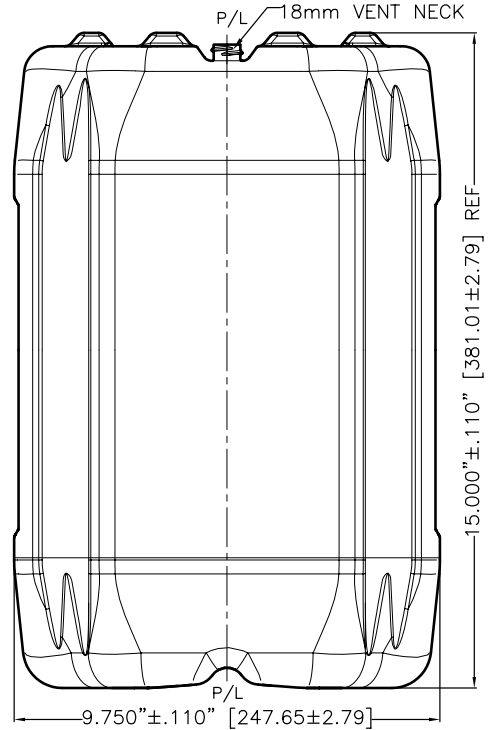
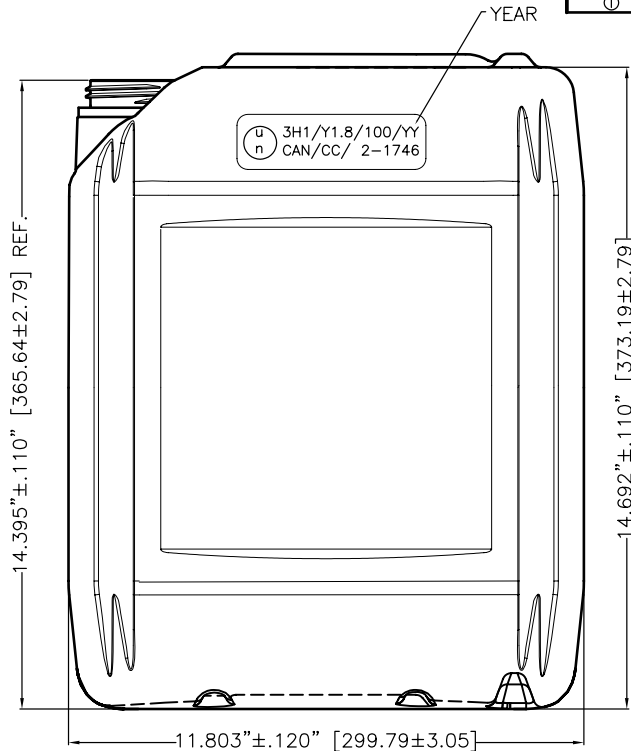


REV. NO.	DESCRIPTION	DATE	BY
①	6TPI added in neck description.	June 01,05	Manjit Dhaliwal



18mm REGULAR NECK SPEC.	"T"	"E"	"H"	"S"	
	$\phi 0.696 \pm .008$	$\phi 0.612 \pm .008$	$0.385 \pm .008$	0.037 ± 0.015	
CAPACITY TO FILL LEVEL: 20L	"T"	"E"	"H"	"S"	"H1"
OVERFLOW CAPACITY: 21.35L ±214ml	$\phi 2.777 \pm .015$	$\phi 2.577 \pm .015$	$0.630 \pm .020$	$0.135 \pm .020$	$0.840 \pm .020$
THIS INFORMATION CONTAINED HEREON WHICH IS THE PROPERTY OF COUSINS-CURRIE LTD. MUST BE MAINTAINED IN CONFIDENCE AND NO PORTION OF THIS DRAWING MAY BE REPRODUCED OR USED WITHOUT THE WRITTEN PERMISSION OF THE COMPANY.	PATH: Z:\RT\RT-20L-70MM.dwg		SCALE: NOT TO SCALE	MAT. HDPE	
	UNLESS OTHERWISE STATED THE DIMENSIONAL TOLER. ARE: DECIMAL .X = ±0.020 .XX = ±0.010 .XXX = ±0.005 .XXXX = ±0.0005 ANGULAR = ±0°-10'		NAME	DATE	TITLE
	DRAWN	Manjit Dhaliwal	Nov.,12.2004	20L RT SC-76RTE 70mm RATCHET NECK	
	CHECKED	Sergio DiBiasio	Nov.,12.2004	PART NO.	REV. NO.
	APPROVED	Sergio DiBiasio	Nov.,12.2004	RT-20L-70MM	1
				SHEET NO.	

DISTRIBUTED BY:	REF NO.:
	DWG30231
DESCRIPTION:	
Description	

DISCLAIMER
THIS INFORMATION IS PROVIDED AS A GENERAL GUIDE, INCLUDING DIMENSIONS. IT IS THE CUSTOMER'S RESPONSIBILITIES TO SELECT THE PROPER CONTAINER FOR PRODUCT AND APPLICATION COMPATIBILITY.