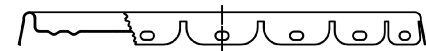
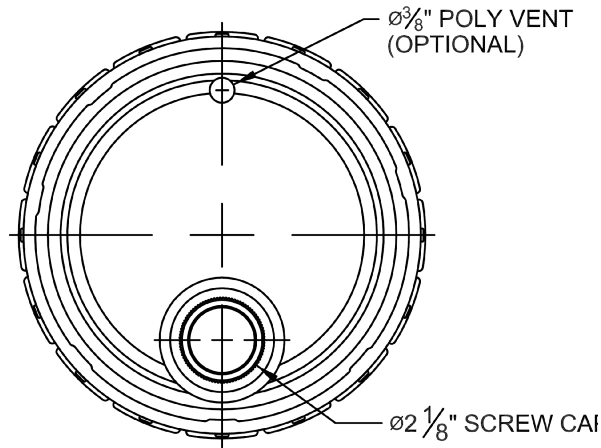


**Destacker Cover**



**Screw Cap:**

**COVER GASKETS AVAILABLE**

Flow - in Gasket

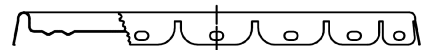
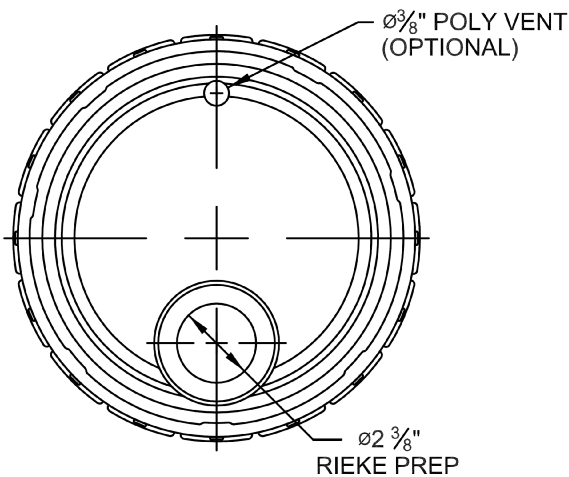
G1 - EPDM Tubular Gasket

G2 - Neoprene Tubular Gasket - White

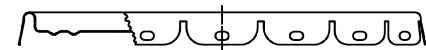
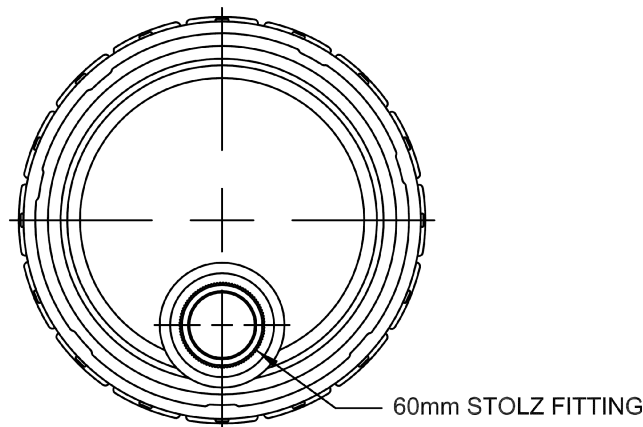
G3 - Neoprene Tubular Gasket - Black

G3Q - Neoprene Tubular Gasket

G6 - SBR Tubular Gasket - Black (small dia)



**Rieke Prep:**



**Stolz Fitting:**

**NOTES:**

1. Fits all Steel pails 2.5 gallon to 7.0 gallon.

\*AVAILABLE IN MULTIPLE COLOR AND LINING OPTIONS

**DISCLAIMER**

THIS INFORMATION IS PROVIDED AS A GENERAL GUIDE, INCLUDING DIMENSIONS. IT IS THE CUSTOMER'S RESPONSIBILITIES TO SELECT THE PROPER CONTAINER FOR PRODUCT AND APPLICATION COMPATIBILITY.

DISTRIBUTED BY:



REF NO.:

DWG10004

DESCRIPTION:

Destacker Lug Cover (Non-Regulated)