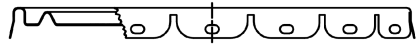
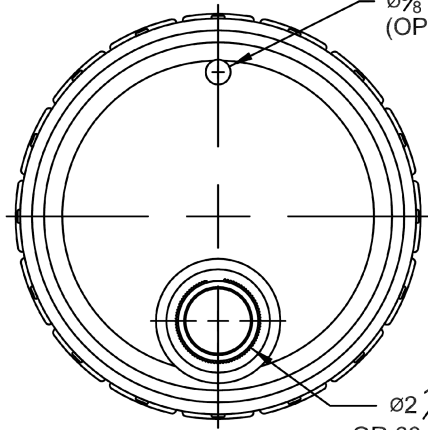


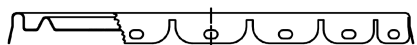
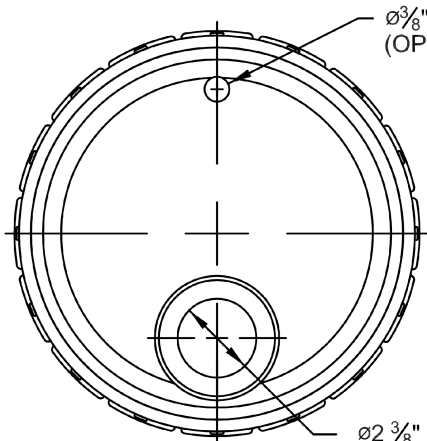
Hi-Perform Cover



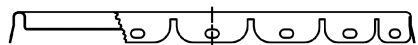
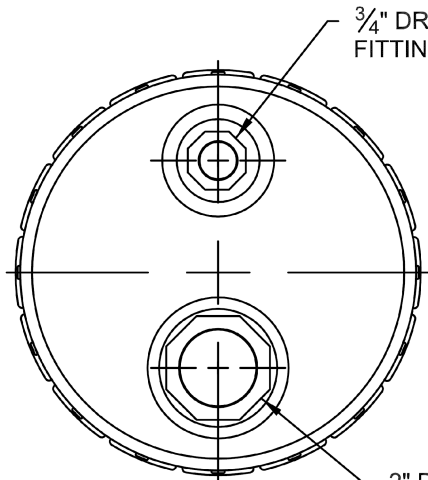
Screw Cap & Stolz Fitting:

ø³/₈" POLY VENT
(OPTIONAL)

ø2 ¹/₈" SCREW CAP
OR 60mm STOLZ FITTING



Rieke Prep:



Drum Fittings:

³/₄" DRUM
FITTING

2" DRUM FITTING

COVER GASKETS AVAILABLE

Flow - in Gasket

G1 - EPDM Tubular Gasket

G2 - Neoprene Tubular Gasket - White

G3 - Neoprene Tubular Gasket - Black

G3Q - Neoprene Tubular Gasket

G6 - SBR Tubular Gasket - Black (small dia)

NOTES:

1. Fits all Steel pails 2.5 gallon to 7.0 gallon.

*AVAILABLE IN MULTIPLE COLOR AND LINING OPTIONS

DISCLAIMER

THIS INFORMATION IS PROVIDED AS A GENERAL GUIDE, INCLUDING DIMENSIONS. IT IS THE CUSTOMER'S RESPONSIBILITIES TO SELECT THE PROPER CONTAINER FOR PRODUCT AND APPLICATION COMPATIBILITY.

DISTRIBUTED BY:



DWG NO.:

DWG10005

DESCRIPTION:

Hi-Perform Lug Cover (UN Regulated)