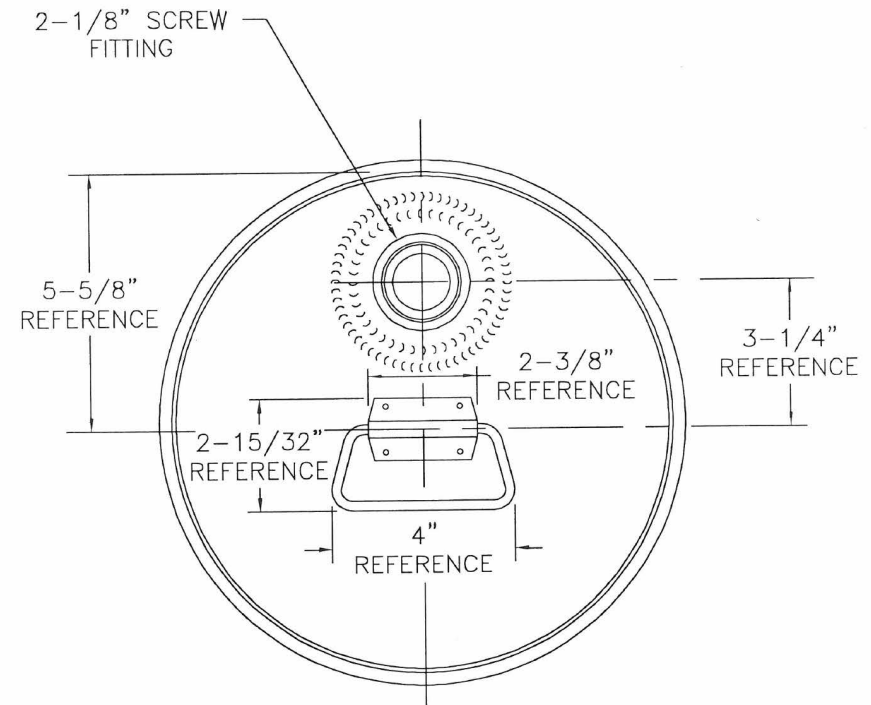
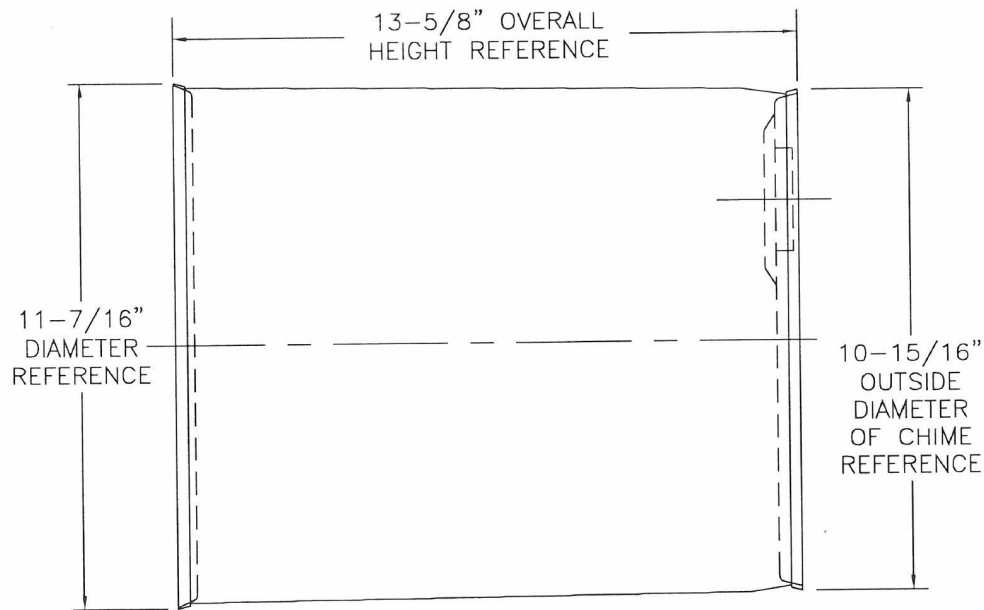


*NOTE:  
 INTERIOR AND EXTERIOR  
 FINISHES PER CUSTOMER'S  
 SPECIFICATIONS.*



**DISCLAIMER**

THIS INFORMATION IS PROVIDED AS A GENERAL GUIDE, INCLUDING DIMENSIONS. IT IS THE CUSTOMER'S RESPONSIBILITIES TO SELECT THE PROPER CONTAINER FOR PRODUCT AND APPLICATION COMPATIBILITY.

DISTRIBUTED BY:



REF NO.:

DWG20677

DESCRIPTION:

5 gallon Steel Tight Head Pail