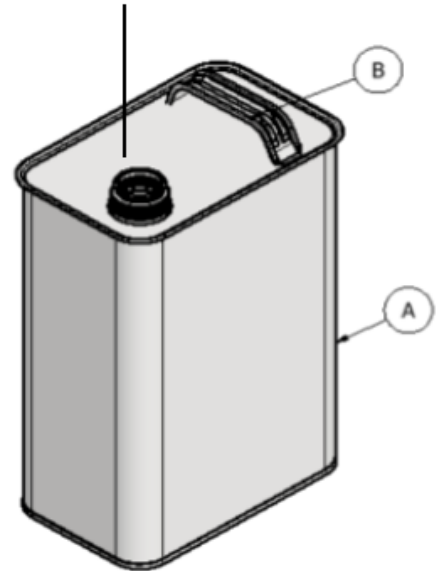
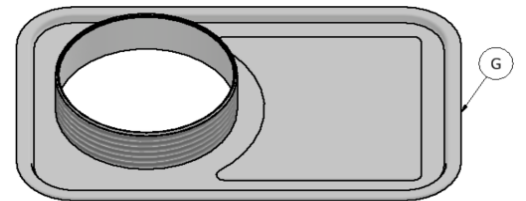


Product Description	
Item	Part Description
A	"F Style" Oblong Can
	Lining Options: Epoxy (Grey) Epoxy Phenolic (Gold)
	Exterior Colors: Tin
	Lithography: Available
	UN Certifications: Contact Sales Representatives
B	Soldered Handle
	Exterior Color: Steel
G	2-7/8" Nozzle

SEE NOZZLE
ILLUSTRATION BELOW



Shipping Data			
Item	Capacity	Can Size	Shipping Qty (Per Pallet)
A	Gallon	6.64 x 4.15 x 10.32	320/400/720



DISCLAIMER

THIS INFORMATION IS PROVIDED AS A GENERAL GUIDE, INCLUDING DIMENSIONS. IT IS THE CUSTOMER'S RESPONSIBILITIES TO SELECT THE PROPER CONTAINER FOR PRODUCT AND APPLICATION COMPATIBILITY.

DISTRIBUTED BY:



REF NO.:

DWG31349

DESCRIPTION:

1 Gallon F-Style Metal Can, 2.875 in Opening, 610 x 907