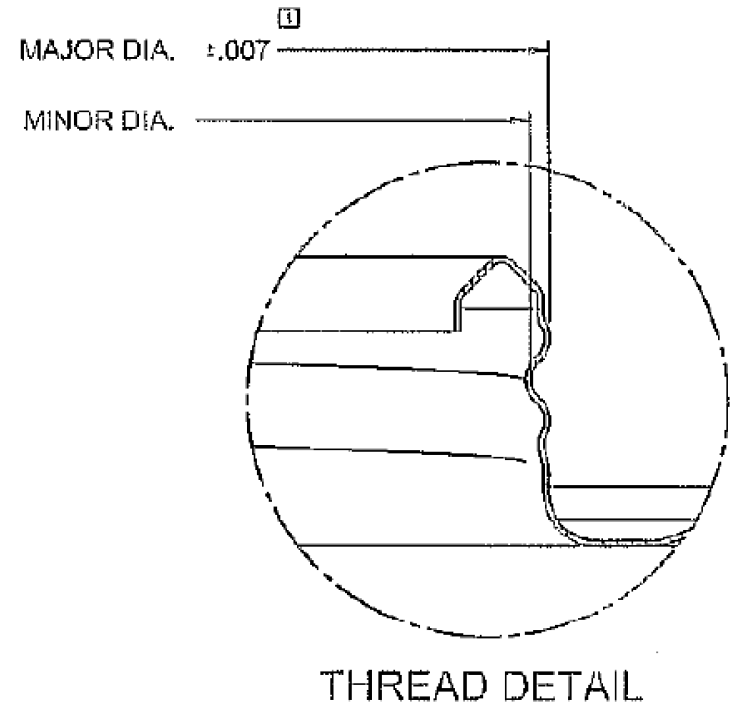
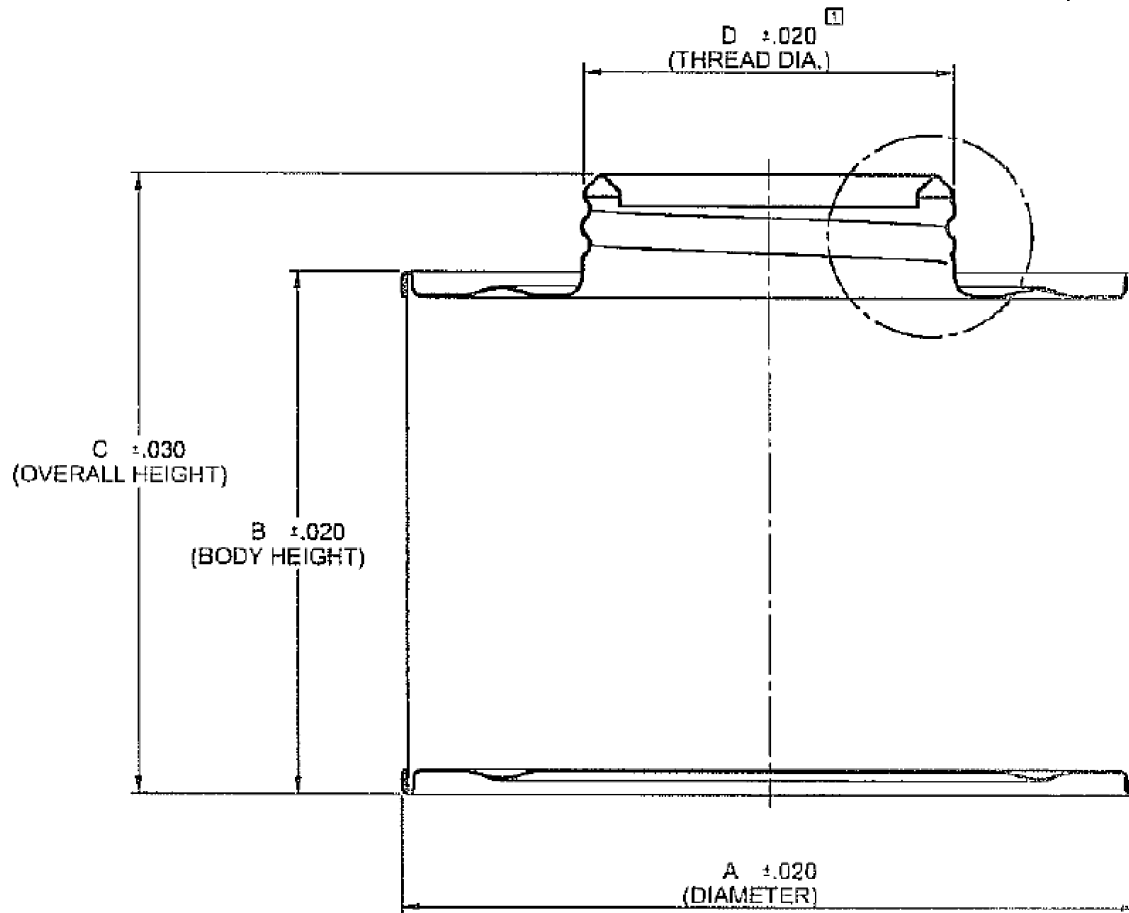


<sup>1</sup> / <sub>2</sub> CAN SIZE	A	B	C	D	MAJOR DIA.	MINOR DIA.
202 x 108	2.140	1.465	1.890	1 3/4 INT'L	1.752	1.690 MAX
202 x 214	2.140	2.865	3.315	1 3/4 INT'L	1.752	1.690 MAX
208 x 113	2.500	1.805	2.250	1 3/4 INT'L	1.752	1.690 MAX
211 x 304	2.655	3.235	3.660	1 3/4 INT'L	1.752	1.690 MAX
307 x 113	3.370	1.805	2.250	1 3/4 INT'L	1.752	1.690 MAX
307 x 206	3.390	2.335	2.780	1 3/4 INT'L	1.752	1.690 MAX
307 x 400	3.370	3.990	4.430	1 3/4 INT'L	1.752	1.690 MAX
404 x 414	4.230	4.875	5.340	1 3/4 INT'L	1.752	1.690 MAX
404 x 414 BEADED	4.230	4.875	5.340	1 3/4 INT'L	1.752	1.690 MAX



**DISCLAIMER**

THIS INFORMATION IS PROVIDED AS A GENERAL GUIDE, INCLUDING DIMENSIONS. IT IS THE CUSTOMER'S RESPONSIBILITIES TO SELECT THE PROPER CONTAINER FOR PRODUCT AND APPLICATION COMPATIBILITY.

DISTRIBUTED BY:



REF NO.:

DWG10096

DESCRIPTION:

1 Pint Utility Can