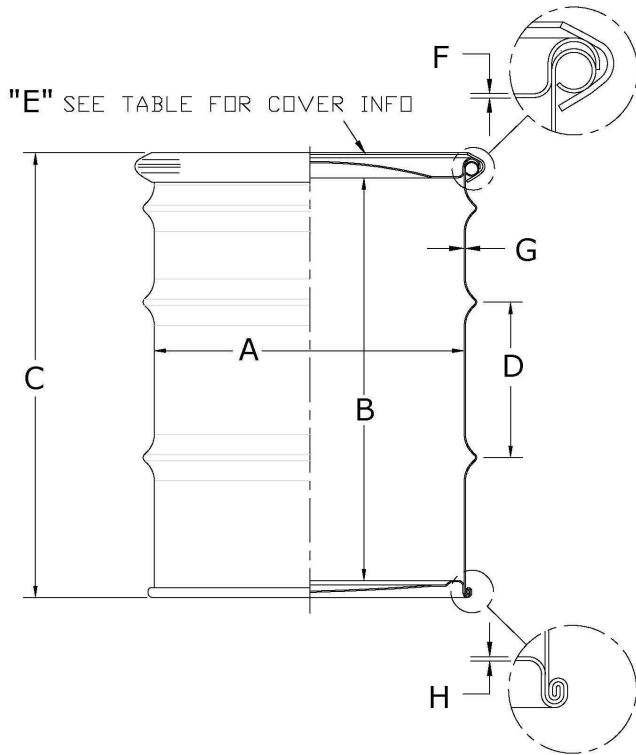


Specification

UN Marking:	1A2/Y1.5/150 & X400/S 10/10/10
Drum Type	Open Head Drum
Diameter (A)	22.5"
Nominal Capacity	55 Gallons
Inside Height (B)	32.6875"
Outside Height (C)	34.1875"
Weight (lbs)	42.6#
Thickness Top (F)	1.00 mm
Thickness Body (G)	1.00 mm
Thickness Bottom (H)	1.00 mm
Beads	3 - Round
Hoop Center (D)	FROM TOP: AT LEAST 3" - 11"CTR
Top Color	WHITE
Body Color	BLACK
Bottom Color	BLACK
Lining	None
Lining Quality	None



Ext. / Decoration / Labels	NONE
Gasket	GSK 72 X 1/2 LDSSL RND WHT
Closing Ring	RB 22 X 12GA LH FL HRPO+PAINT GRAY BBQS1 74-5/8"
Fitting	G2 Steel Flange Zinc Plated 4s®
Plug	G2 Steel Plug Zinc Plated PE Irrad (Thick Wall)
Fitting	G3/4 Steel Flange Zinc Plated 4s®
Plug	G3/4 Steel Plug Zinc Plated PE Irrad
Fitting	None
Plug	None
Fitting	None
Plug	None
Fitting Placement (E)	COVER
Special Instructions	NONE

DISTRIBUTED BY:



REF NO.:

DWG20455

DISCLAIMER

THIS INFORMATION IS PROVIDED AS A GENERAL GUIDE, INCLUDING DIMENSIONS. IT IS THE CUSTOMER'S RESPONSIBILITIES TO SELECT THE PROPER CONTAINER FOR PRODUCT AND APPLICATION COMPATIBILITY.

DESCRIPTION:

55 Gallon Black Steel Open Head Drum, Bolt Ring, Unlined w/ 2" and 3/4" Fittings