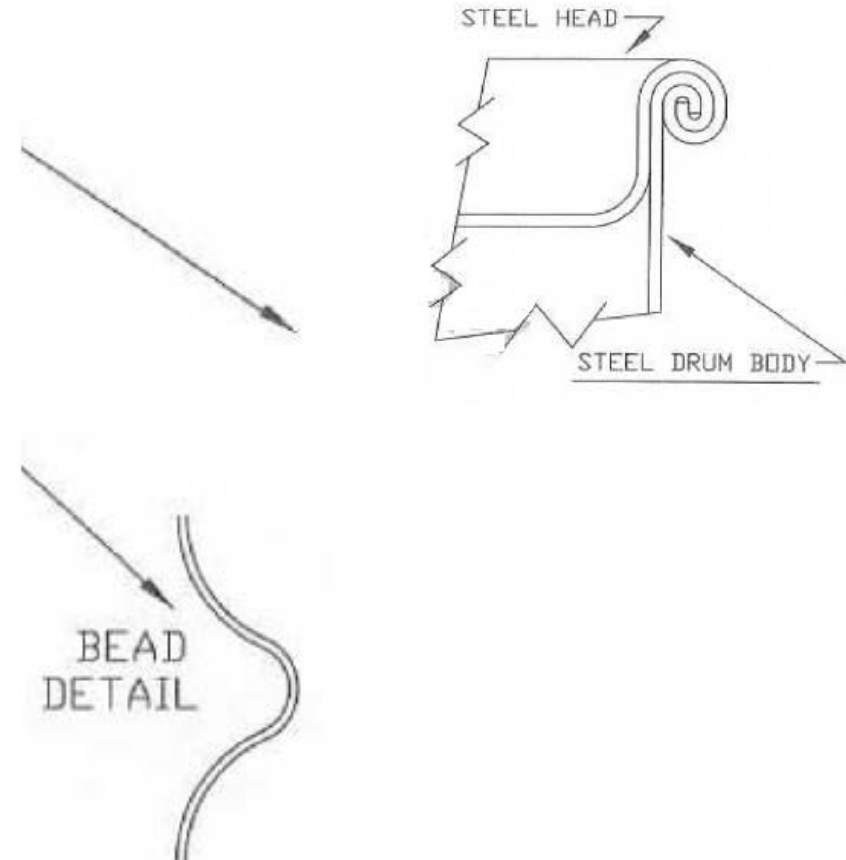
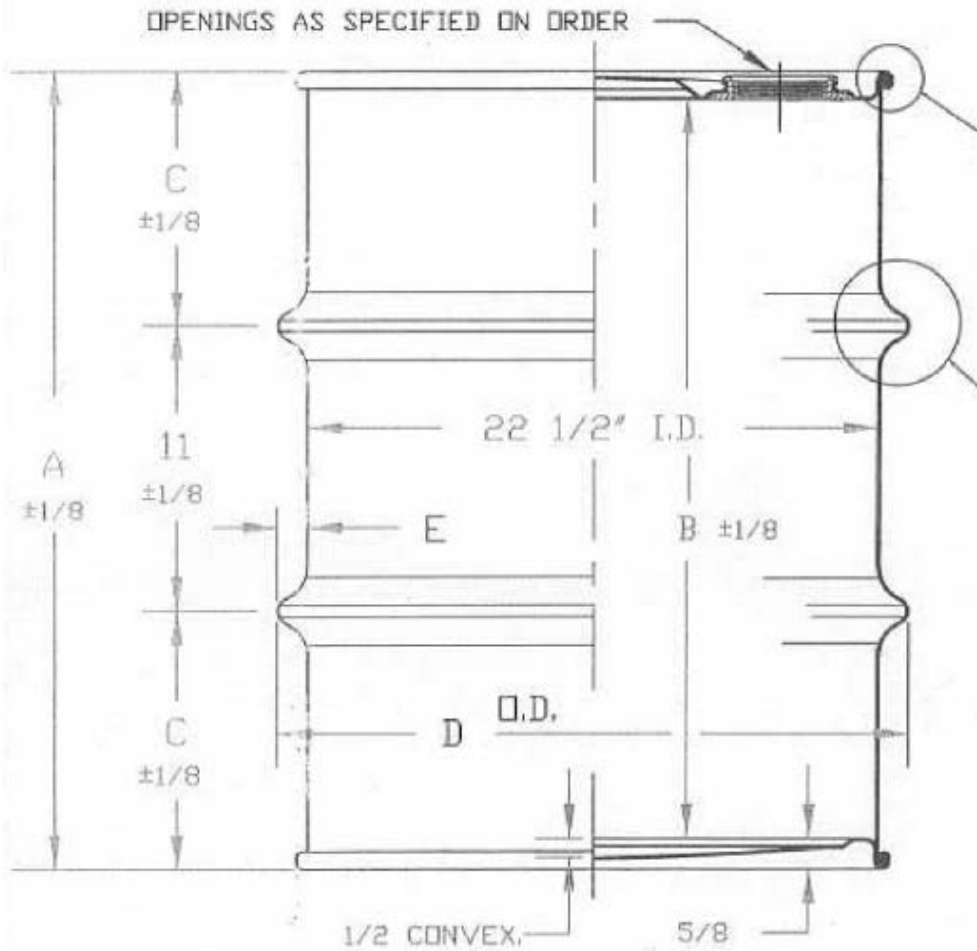


55 Gal Tight Head Black Steel Drum with 2" and 3/4" NPT Fittings

ASSEMBLY CODE NUMBER	ACT. CAP. GAL.	DIMENSIONS				
		A	B	C	D	E
55GAL C31	57.6	34 3/8	33 1/16	11 11/16	23 19/32	1/2
56GAL C31	58.4	34 13/16	33 1/2	11 15/16	23 19/32	1/2
57GAL C31	59.3	35 5/16	34	12 3/16	23 19/32	1/2
209LTR C31	219L	34 5/8	33 5/16	11 13/16	23 19/32	1/2
210LTR C31	220L	34 3/4	33 7/16	11 7/8	23 19/32	1/2
57.5GAL C31	60.1	35 13/16	34 1/2	12 13/32	23 19/32	1/2



DISCLAIMER

THIS INFORMATION IS PROVIDED AS A GENERAL GUIDE, INCLUDING DIMENSIONS. IT IS THE CUSTOMER'S RESPONSIBILITIES TO SELECT THE PROPER CONTAINER FOR PRODUCT AND APPLICATION COMPATIBILITY.

DISTRIBUTED BY:



REF NO.:

DESCRIPTION: