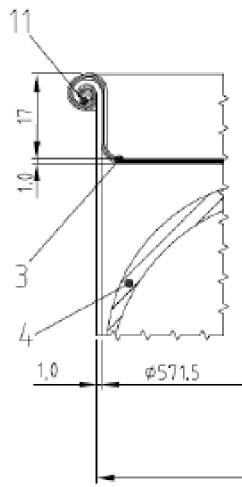
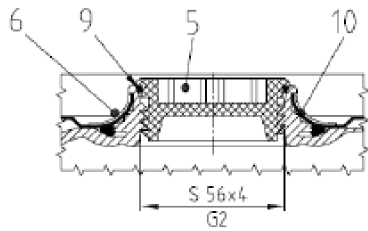


55 gal Tight Head Black Steel Drum with 2" and 2" Fittings

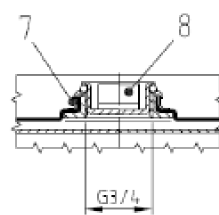
Detail A 1:1



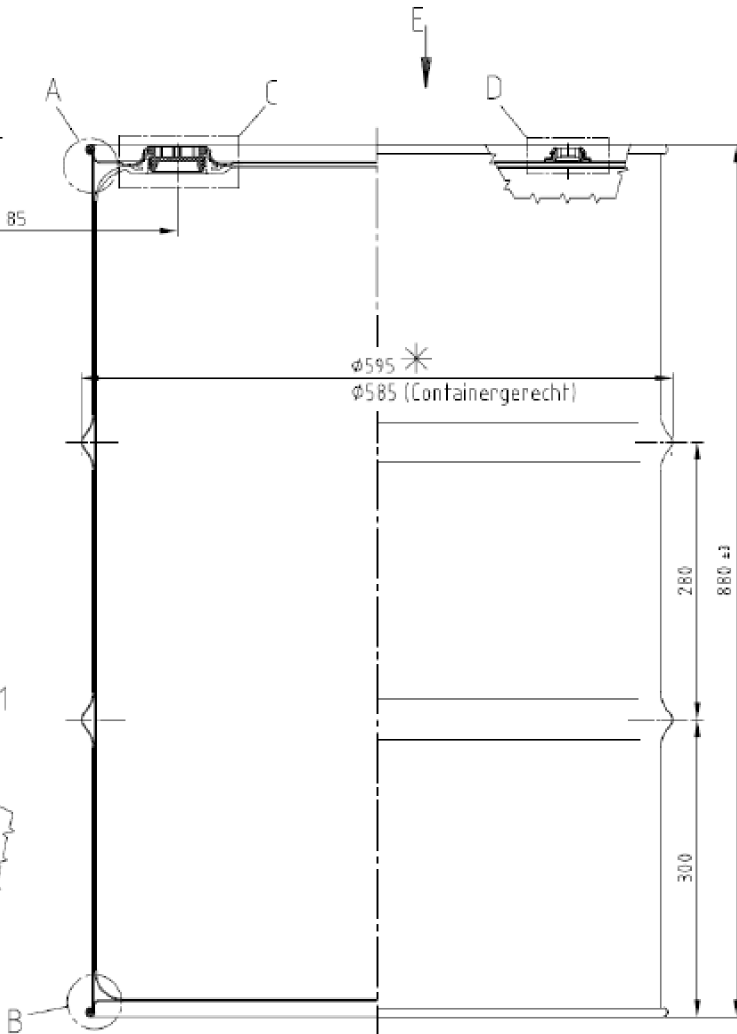
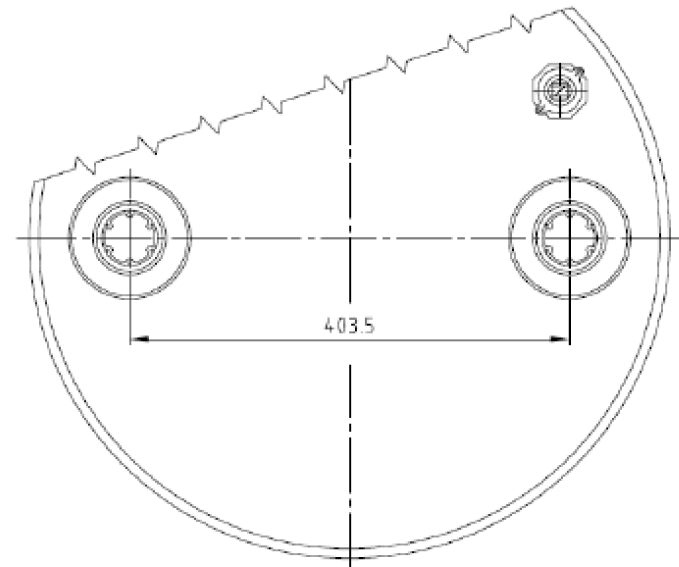
Detail C 1:2



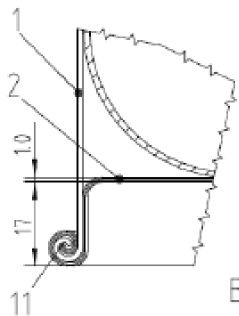
Detail D 1:2



Ansicht E



Detail B 1:1



* wahlweise entspr. Kundenanforderung

			Ge wicht Total Poids totale	Nominal Dsg I	21,4	Innen roh, ausser lackiert
	Dichtmasse	11				
2	Dichtring	10				wahlweise
2	Dichtung	9		Nitril / PE EPDM		wahlweise
1	Verschraubung G3/4	8	Stahl			wahlweise
1	Plombiering	7	Stahl			wahlweise
2	Plombiering	6	Stahl			wahlweise
2	Schraubstopfen	5	PP	S 56x4 / G2		Sägen - Fein gewind wahlweise
1	Einstellbehälter	4	HDPE	3,6 kg		PEK-4100A
1	Oberboden	3	Stahl			
1	Boden	2	Stahl			
1	Mantel	1	Stahl			

DISCLAIMER

THIS INFORMATION IS PROVIDED AS A GENERAL GUIDE, INCLUDING DIMENSIONS. IT IS THE CUSTOMER'S RESPONSIBILITIES TO SELECT THE PROPER CONTAINER FOR PRODUCT AND APPLICATION COMPATIBILITY.

DISTRIBUTED BY:



REF NO.:

DWG10053

DESCRIPTION:

55 gallon Steel Tight Head Drum