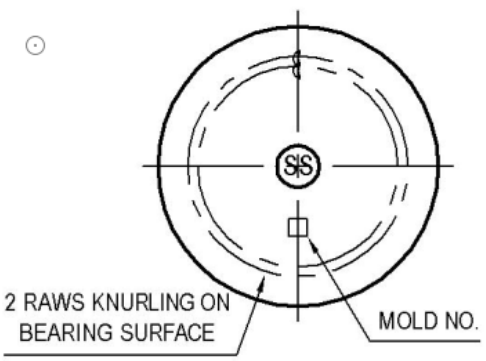



S / 2:1
GPI 20-400



Nominal Capacity	60.8cc
O. F. Capacity	63.8 ± 3cc
Weight	58 ± 7g

DISCLAIMER

THIS INFORMATION IS PROVIDED AS A GENERAL GUIDE, INCLUDING DIMENSIONS. IT IS THE CUSTOMER'S RESPONSIBILITIES TO SELECT THE PROPER CONTAINER FOR PRODUCT AND APPLICATION COMPATIBILITY.

DISTRIBUTED BY:  REF NO.: DWG30633

DESCRIPTION:
2 oz Amber Boston Round, 20-400