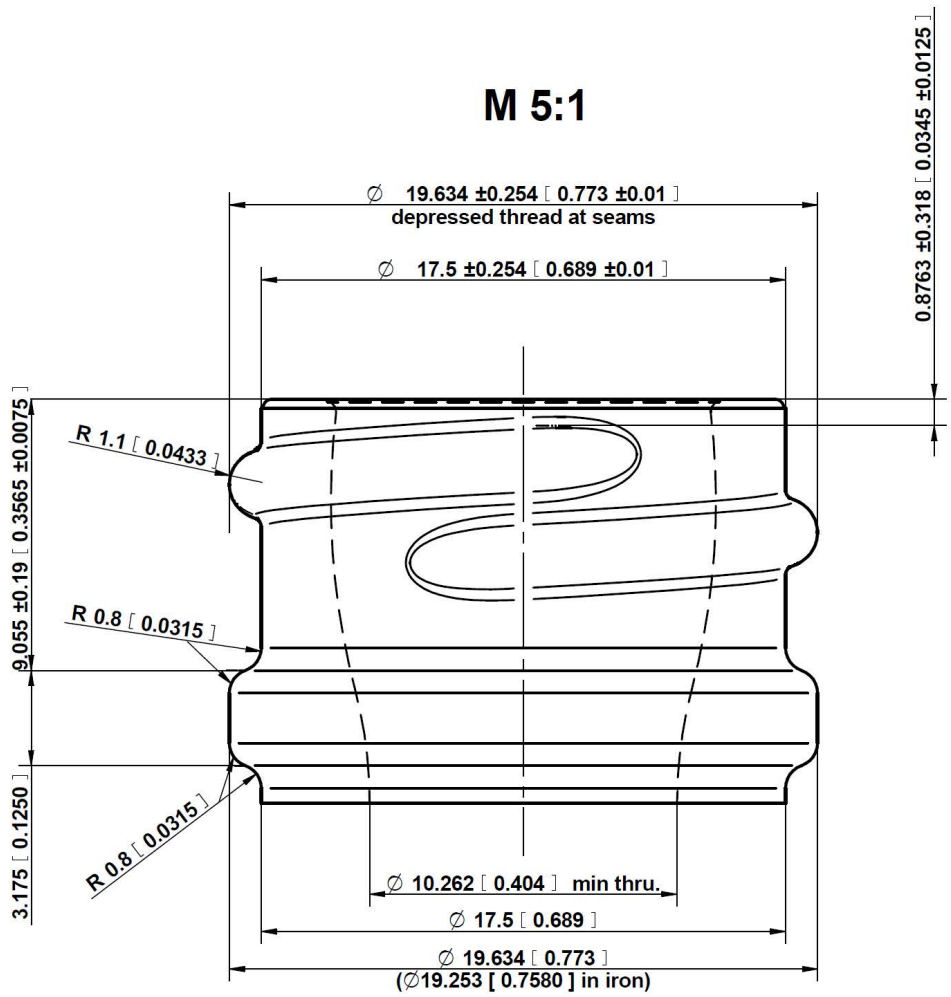
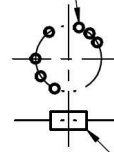


M 5:1



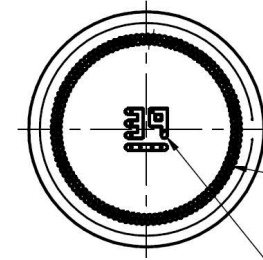
DOT CODE

Coding dots to appear on a .200 radius



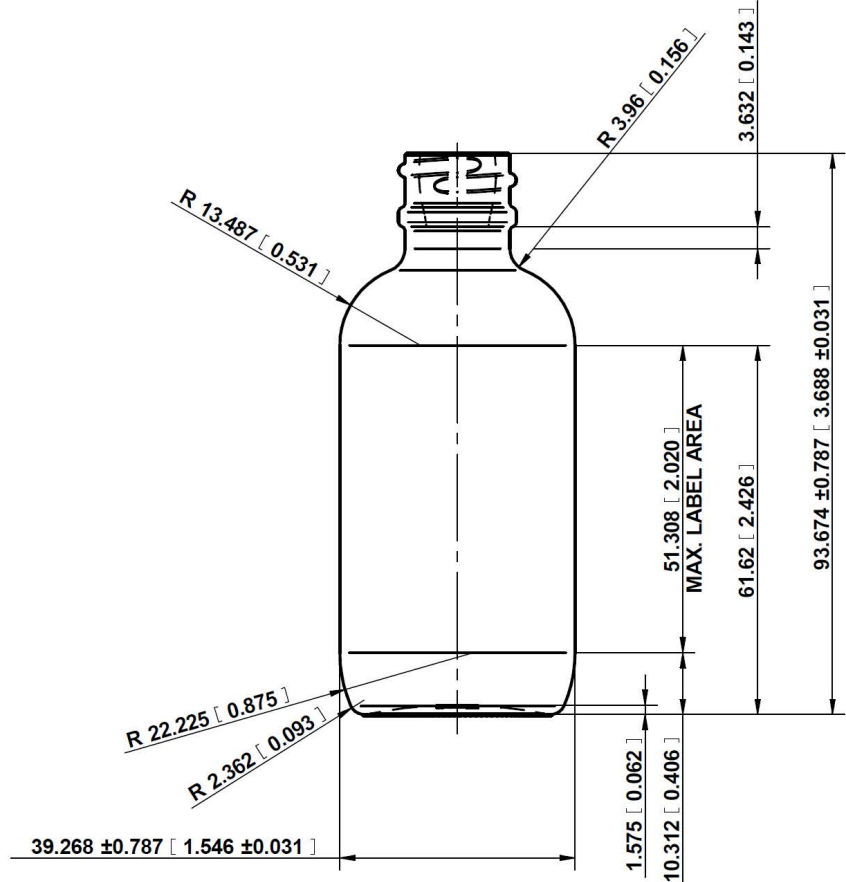
Cavity No.

ALPHA NUMERIC



stipple bearing surface

alphanumeric cavity identification



DISCLAIMER

THIS INFORMATION IS PROVIDED AS A GENERAL GUIDE, INCLUDING DIMENSIONS. IT IS THE CUSTOMER'S RESPONSIBILITIES TO SELECT THE PROPER CONTAINER FOR PRODUCT AND APPLICATION COMPATIBILITY.

DISTRIBUTED BY:



REF NO.:

DESCRIPTION: