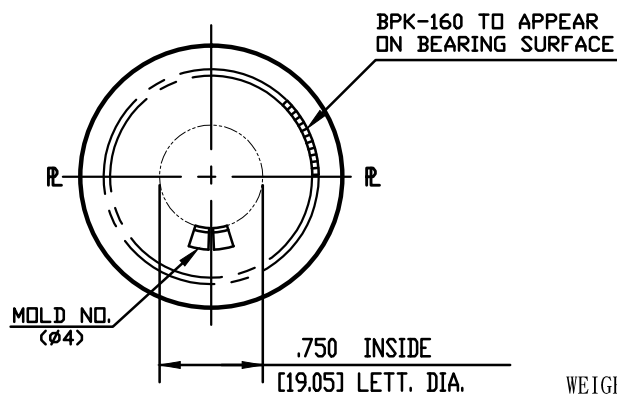


S=3:1
 PITCH=3.2mm
 WIDTH=2.2mm
 TURN=1



SPECIFICATIONS
 WEIGHT $92 \pm 5 \text{ g}$
 $3.250 \pm 0.188 \text{ oz.}$
 O. FLOW CAP $128.00 \pm 2 \text{ ml}$
 $4.328 \pm 0.094 \text{ FL. oz.}$

DISCLAIMER

THIS INFORMATION IS PROVIDED AS A GENERAL GUIDE, INCLUDING DIMENSIONS. IT IS THE CUSTOMER'S RESPONSIBILITIES TO SELECT THE PROPER CONTAINER FOR PRODUCT AND APPLICATION COMPATIBILITY.

DISTRIBUTED BY: 	REF NO.: DWG30635
DESCRIPTION: 4 oz Amber Boston Round, 22-400	