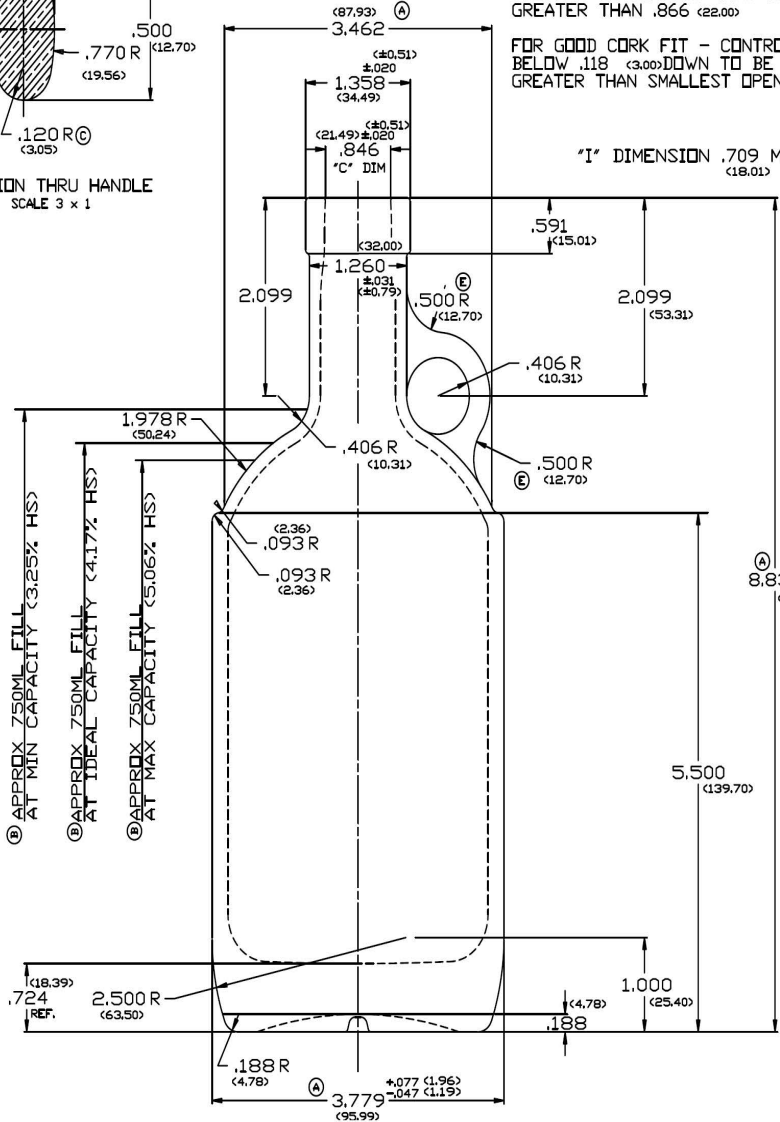


C' DIMENSION CONTROLS OPENING TO .630 (16.00) DOWN FROM BOTTLE ENTRY
 OPENING FROM .118 (3.00) DOWN TO .630 (16.00) DOWN TO BE NO LESS THAN .826 (20.99) AND NO GREATER THAN .866 (22.00)

FOR GOOD CORK FIT - CONTROL OPENING BELOW .118 (3.00) DOWN TO BE SLIGHTLY GREATER THAN SMALLEST OPENING ABOVE

"I" DIMENSION .709 MIN THRU (18.01)

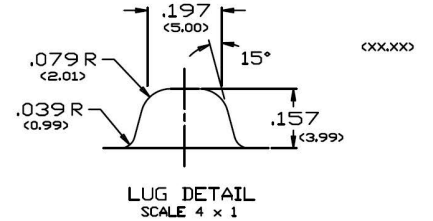
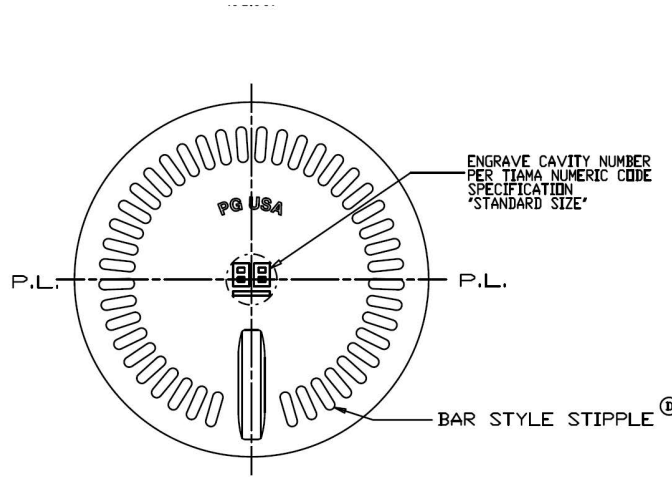
SECTION THRU HANDLE
 SCALE 3 x 1



HEADSPACE		
		UNDER CORK
MIN. CAP.	3.25%	2.33%
IDEAL CAP.	4.17%	3.26%
MAX. CAP.	5.06%	4.18%

Ⓐ APPROX 750ML FILL AT MIN CAPACITY (3.25% HS)
 Ⓑ APPROX 750ML FILL AT IDEAL CAPACITY (4.17% HS)
 Ⓒ APPROX 750ML FILL AT MAX CAPACITY (5.06% HS)

Ⓐ (1.58)
 8.837 ± .062 (224.46)



DISCLAIMER

THIS INFORMATION IS PROVIDED AS A GENERAL GUIDE, INCLUDING DIMENSIONS. IT IS THE CUSTOMER'S RESPONSIBILITIES TO SELECT THE PROPER CONTAINER FOR PRODUCT AND APPLICATION COMPATIBILITY.

DISTRIBUTED BY:



REF NO.:

DESCRIPTION: