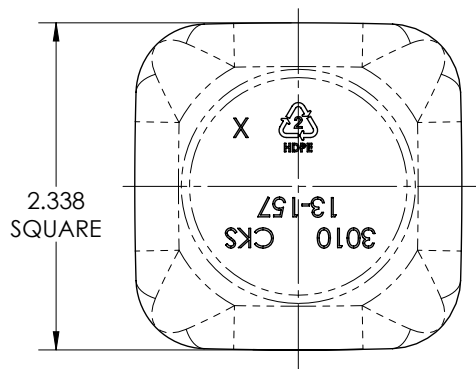


THREAD NOTES:

1. 6 THREADS PER INCH
2. 1.25 TURNS OF THREAD, THREAD START AT P/L
3. TOTAL OF 10 RATCHETS 5 PER HALF



Notes:

1) Tolerances Unless Specified:

- Vertical -- $\pm .060$ "
- Horizontal -- $\pm .060$ "
- Volumetric -- .20 oz

2) Bottles to be Checked Aged with 20 C water

DISCLAIMER

THIS INFORMATION IS PROVIDED AS A GENERAL GUIDE, INCLUDING DIMENSIONS. IT IS THE CUSTOMER'S RESPONSIBILITIES TO SELECT THE PROPER CONTAINER FOR PRODUCT AND APPLICATION COMPATIBILITY.

DISTRIBUTED BY:



REF NO.:

DWG30659

DESCRIPTION:

8 oz Natural HDPE Juice Bottle, 38-400, 10 Gram