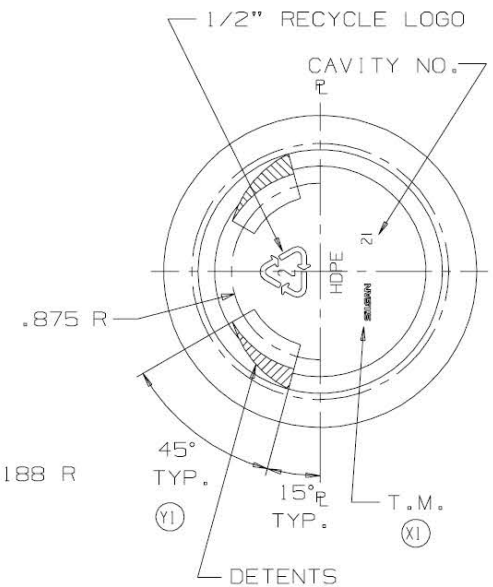
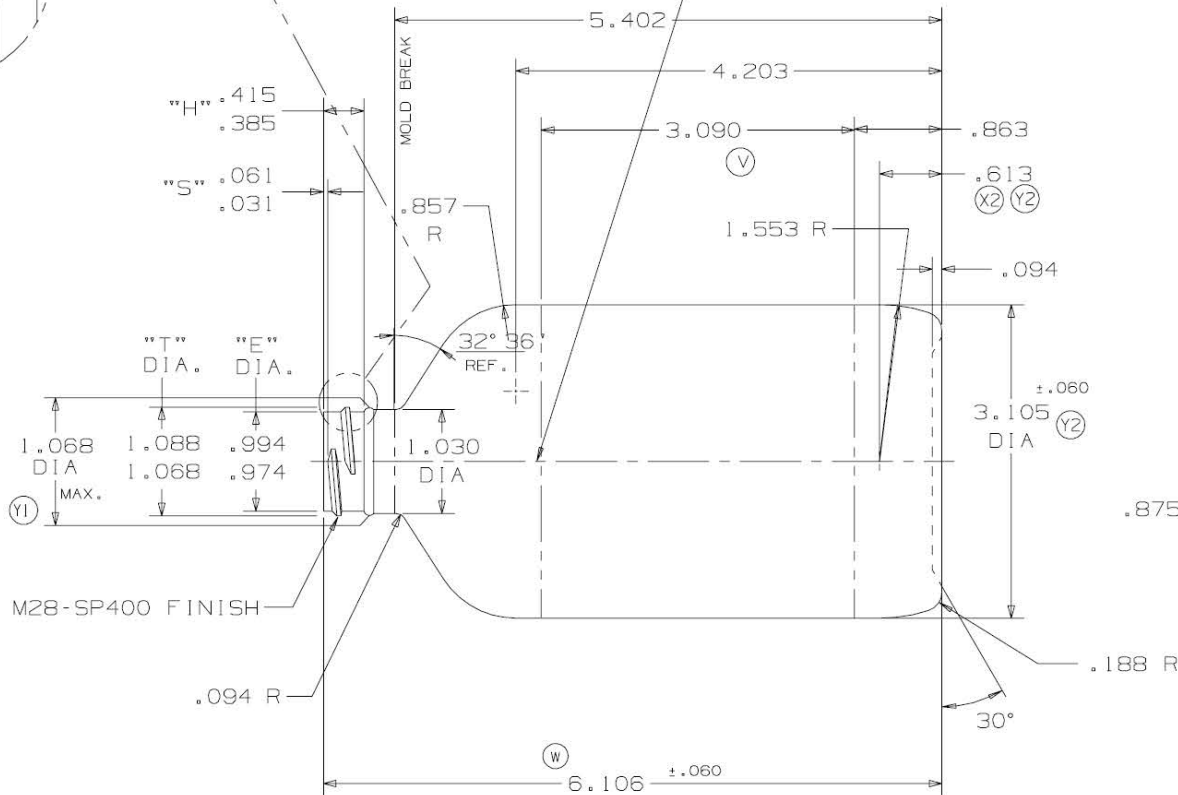
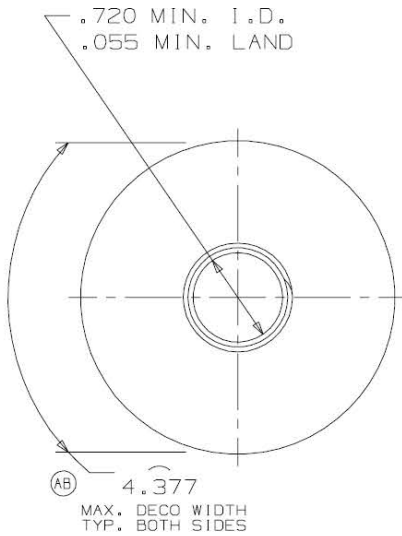


SCALE: 4:1

MAX. DECORATING AREA
9.005 DEVELOPED WIDTH
WITH .750 DECO BREAK



NOTES :

- 1) OVERFLOW CAPACITY : 19.44 ± .44 FL.OZ.
(575.0 ± 13.0 CC'S.)
- 2) WEIGHT : 35.0 ± 2.0 GRAMS

DISCLAIMER

THIS INFORMATION IS PROVIDED AS A GENERAL GUIDE, INCLUDING DIMENSIONS. IT IS THE CUSTOMER'S RESPONSIBILITIES TO SELECT THE PROPER CONTAINER FOR PRODUCT AND APPLICATION COMPATIBILITY.

DISTRIBUTED BY:



REF NO.:

DESCRIPTION: