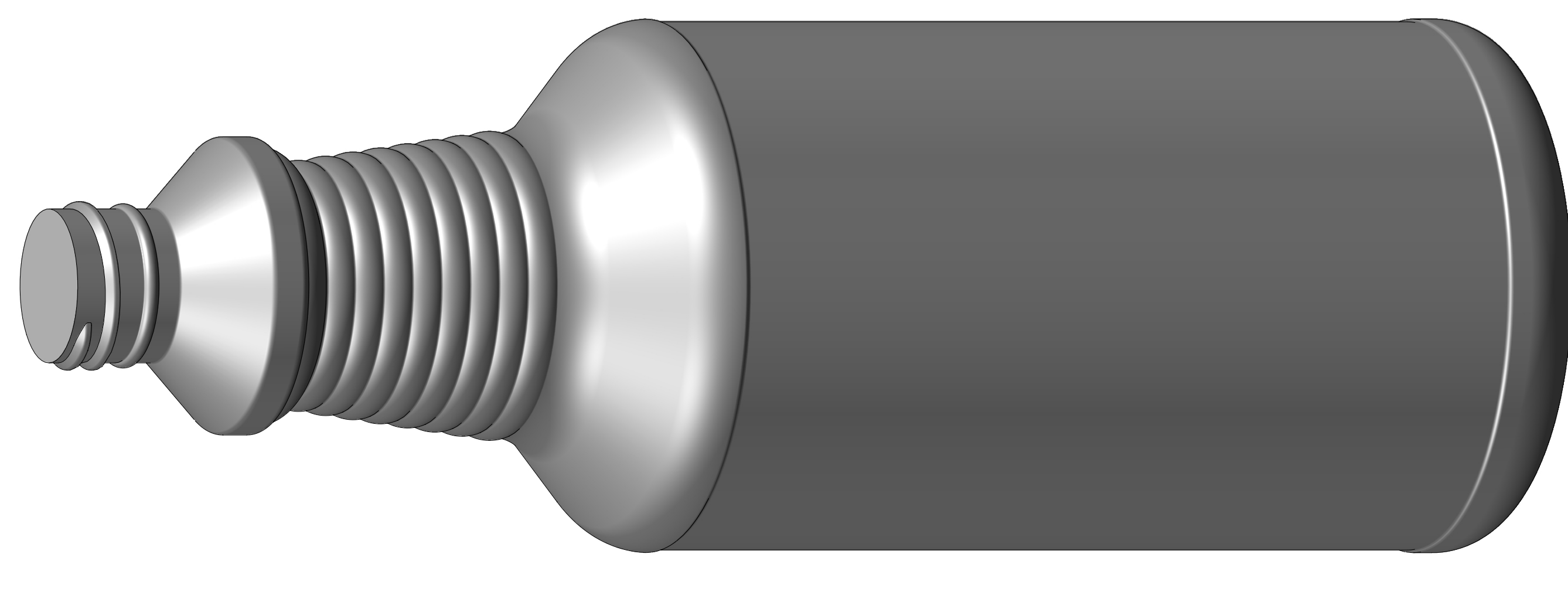
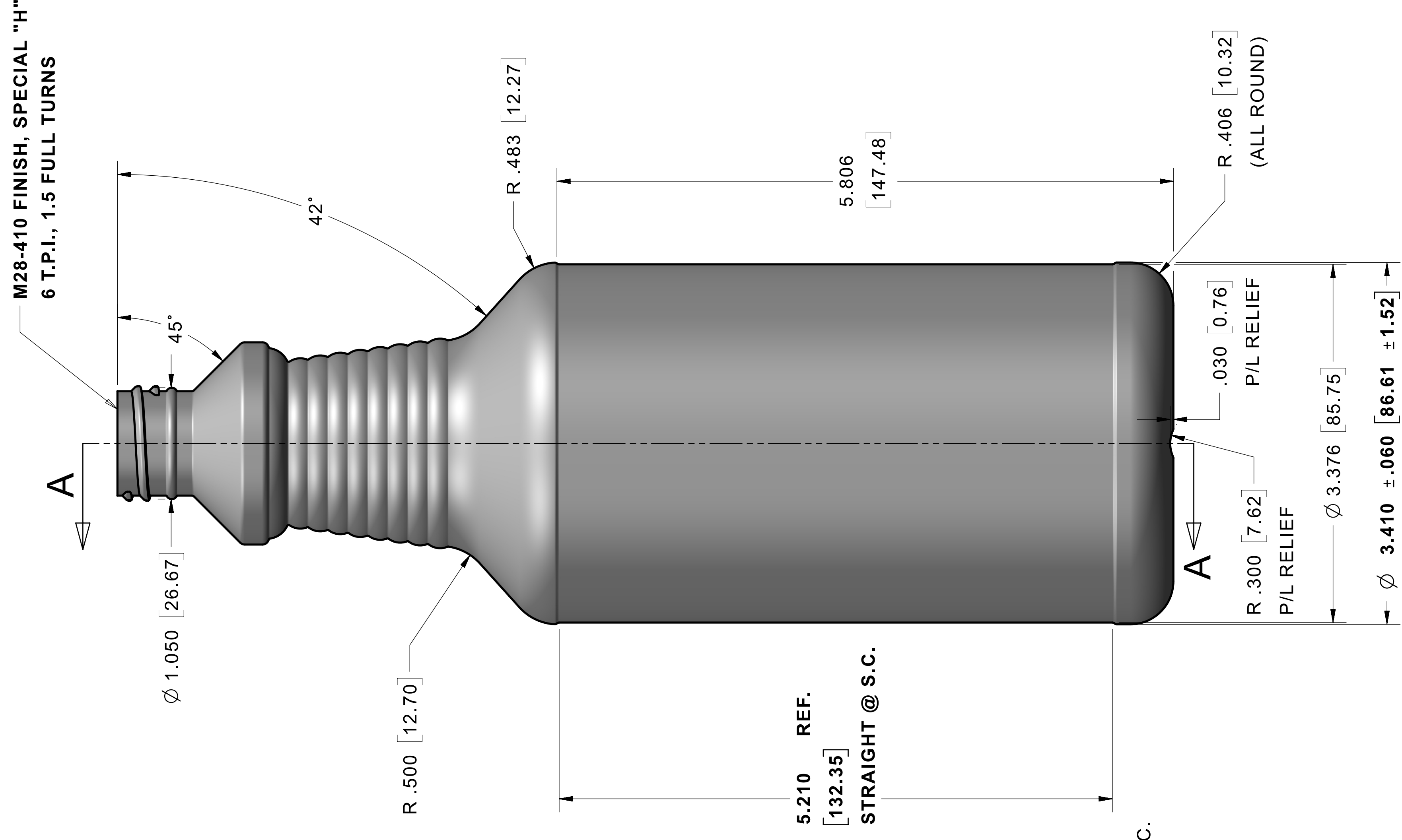


DIMENSIONAL CONDITION IS:
AFTER TREAT
 OVERFLOW CAPACITY:
 $33.4 \pm .51 \text{ FL.OZ.}$
 $(989.0 \pm 15.0 \text{ ML.})$
 WEIGHT:
 $51.0 \pm 3.0 \text{ GRAMS}$



DISCLAIMER

THIS INFORMATION IS PROVIDED AS A GENERAL GUIDE, INCLUDING DIMENSIONS. IT IS THE CUSTOMER'S RESPONSIBILITIES TO SELECT THE PROPER CONTAINER FOR PRODUCT AND APPLICATION COMPATIBILITY.

DISTRIBUTED BY: **Pipeline Packaging**

REF NO.: **DWG30661**

DESCRIPTION:

32 oz Blue/White HDPE Ring Decanter, 28-410, 51 Gram