

**DISCLAIMER**

THIS INFORMATION IS PROVIDED AS A GENERAL GUIDE, INCLUDING DIMENSIONS. IT IS THE CUSTOMER'S RESPONSIBILITIES TO SELECT THE PROPER CONTAINER FOR PRODUCT AND APPLICATION COMPATIBILITY.

DISTRIBUTED BY:

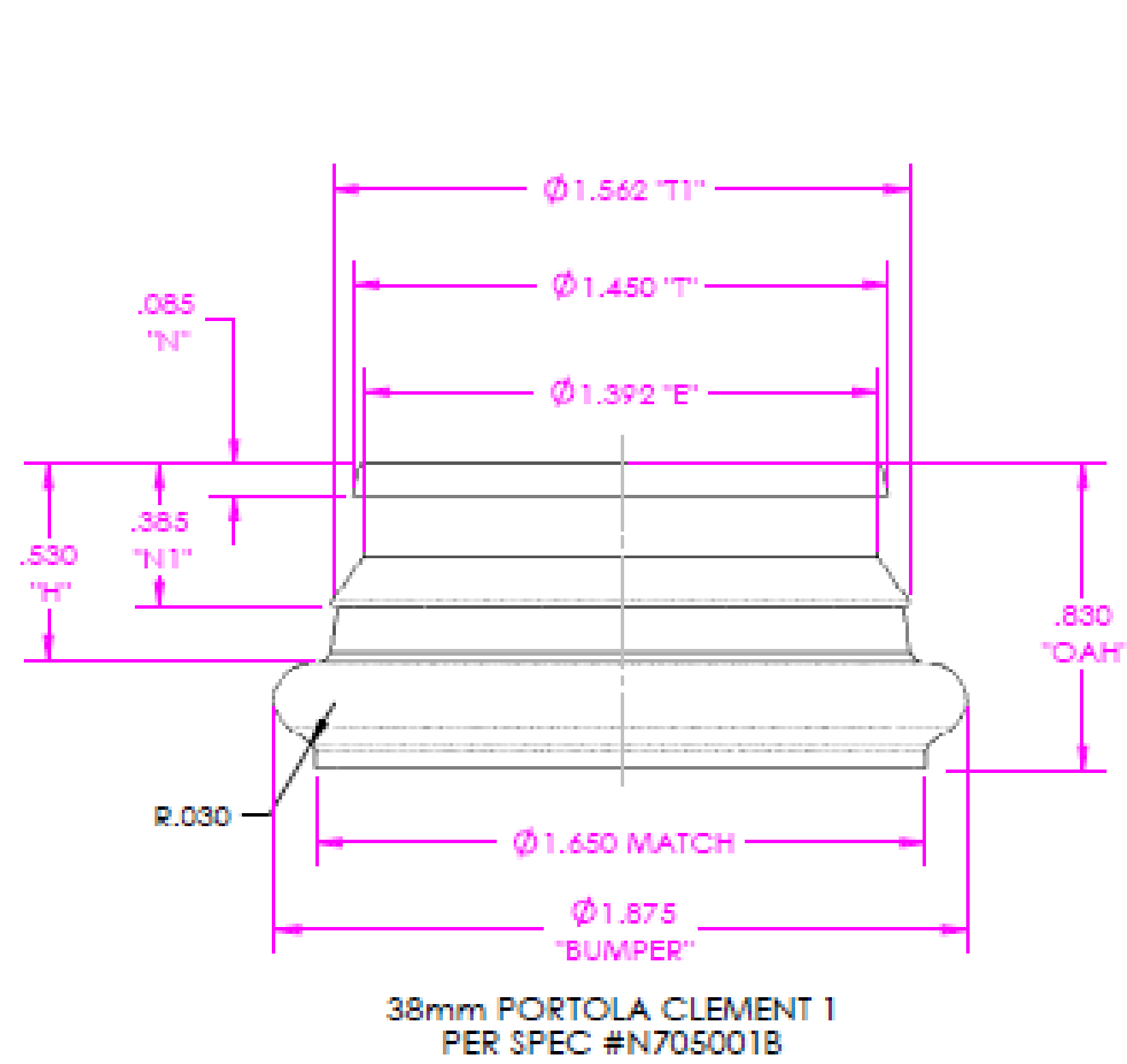


REF NO.:

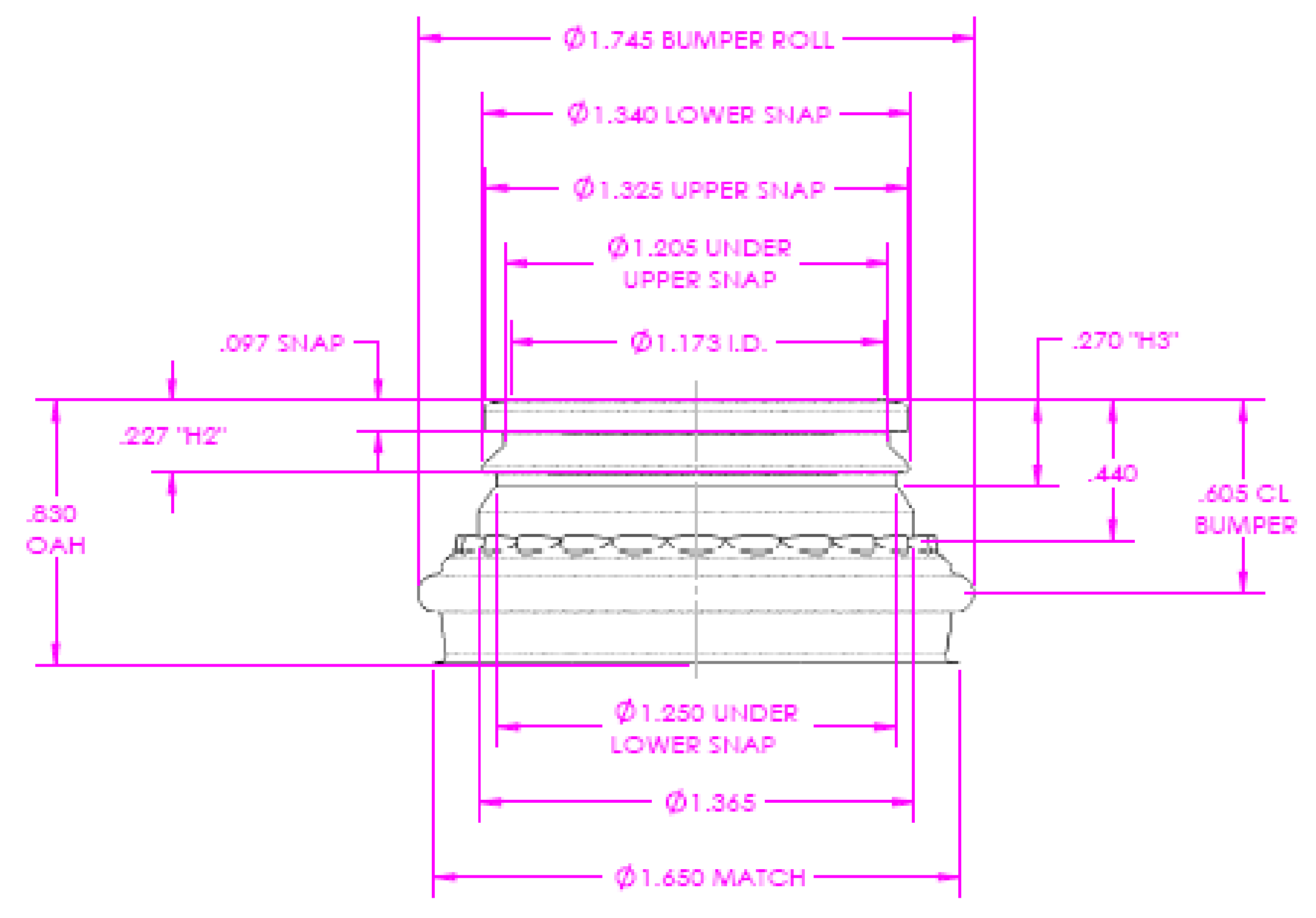
DWG30692

DESCRIPTION:

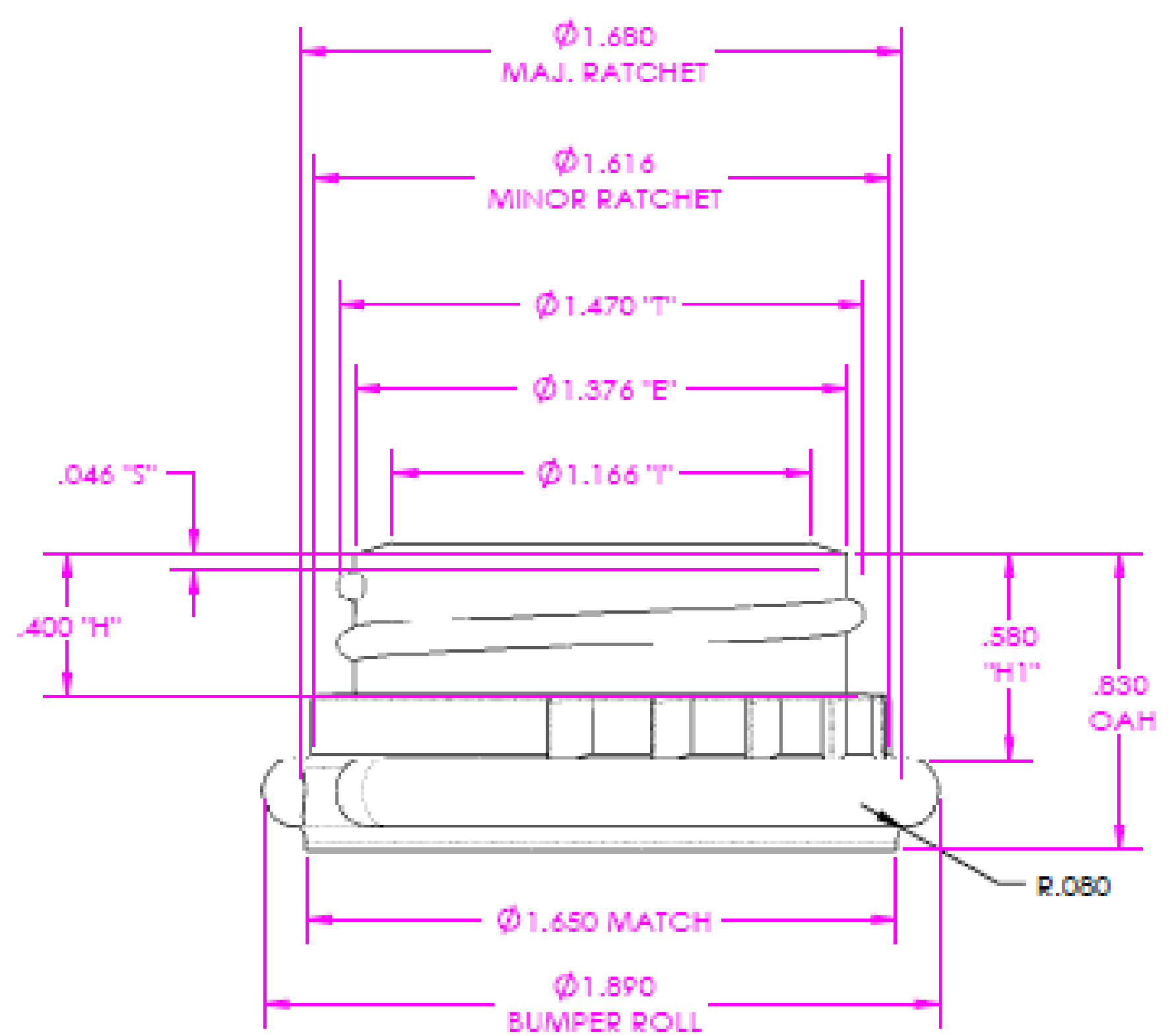
32 oz Natural HDPE Square Dairy, 38-400, 35 Gram



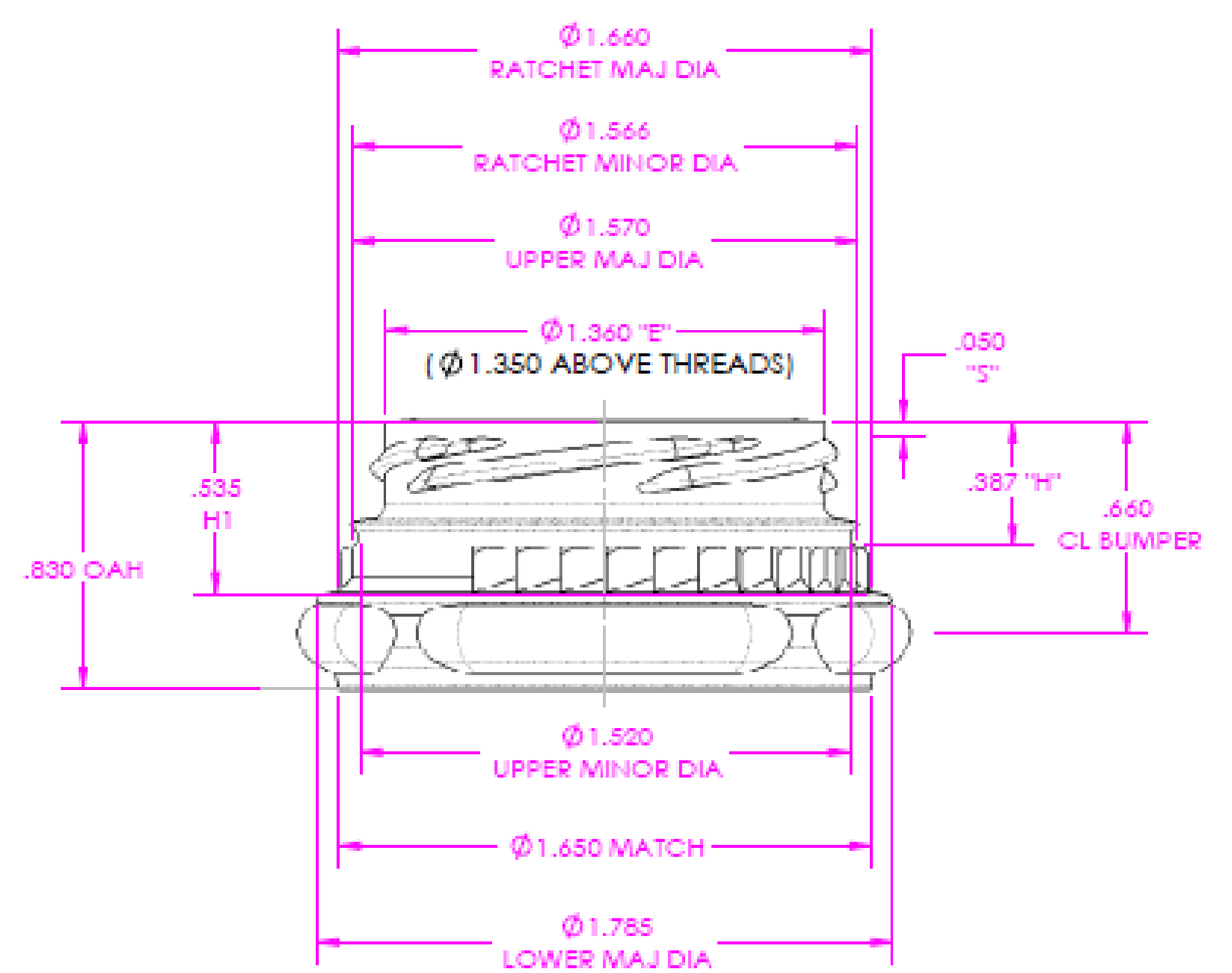
38mm PORTOLA CLEMENT 1  
PER SPEC #N705001B



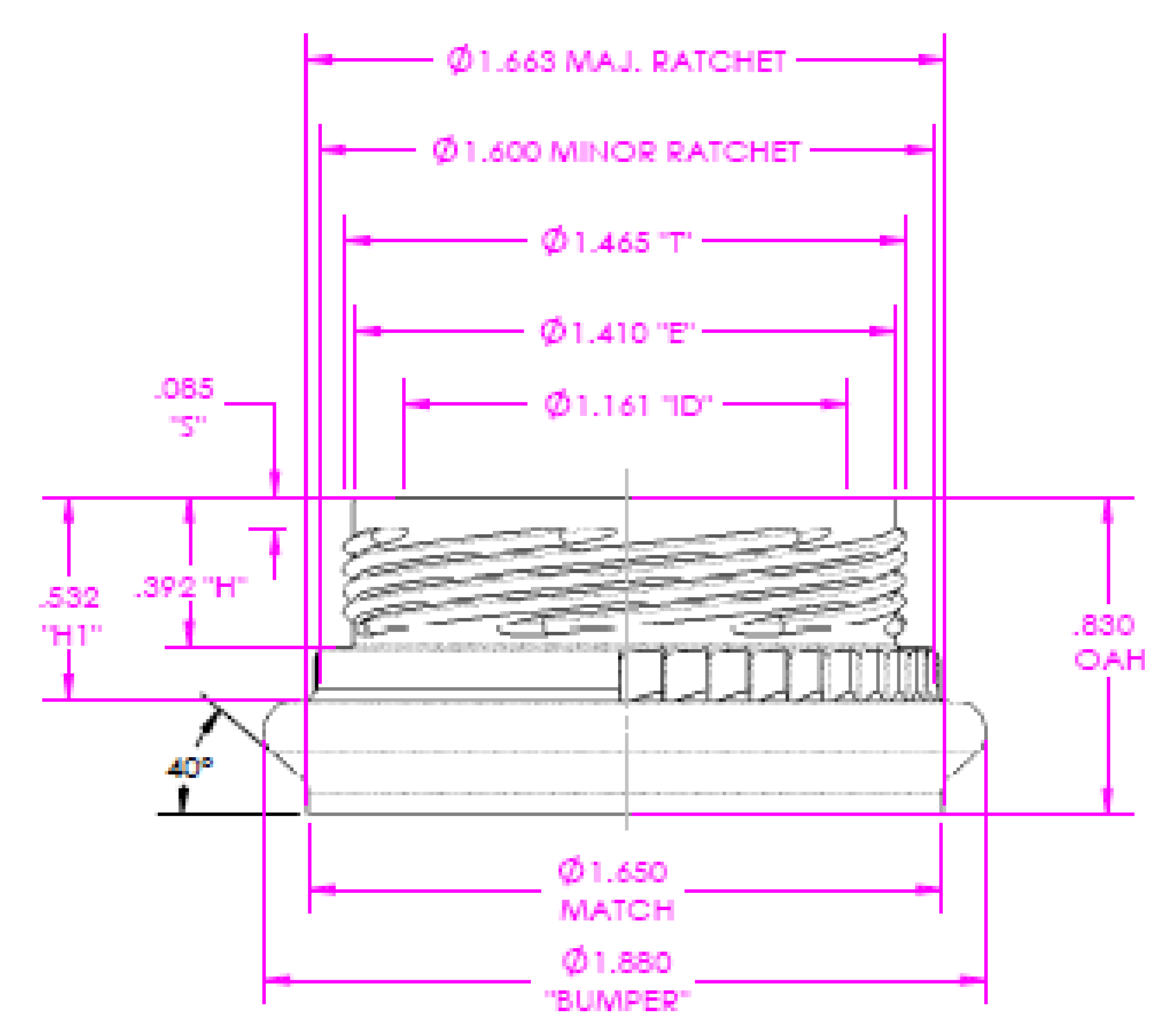
38mm PORTOLA SCII  
PER SPEC #N382122D



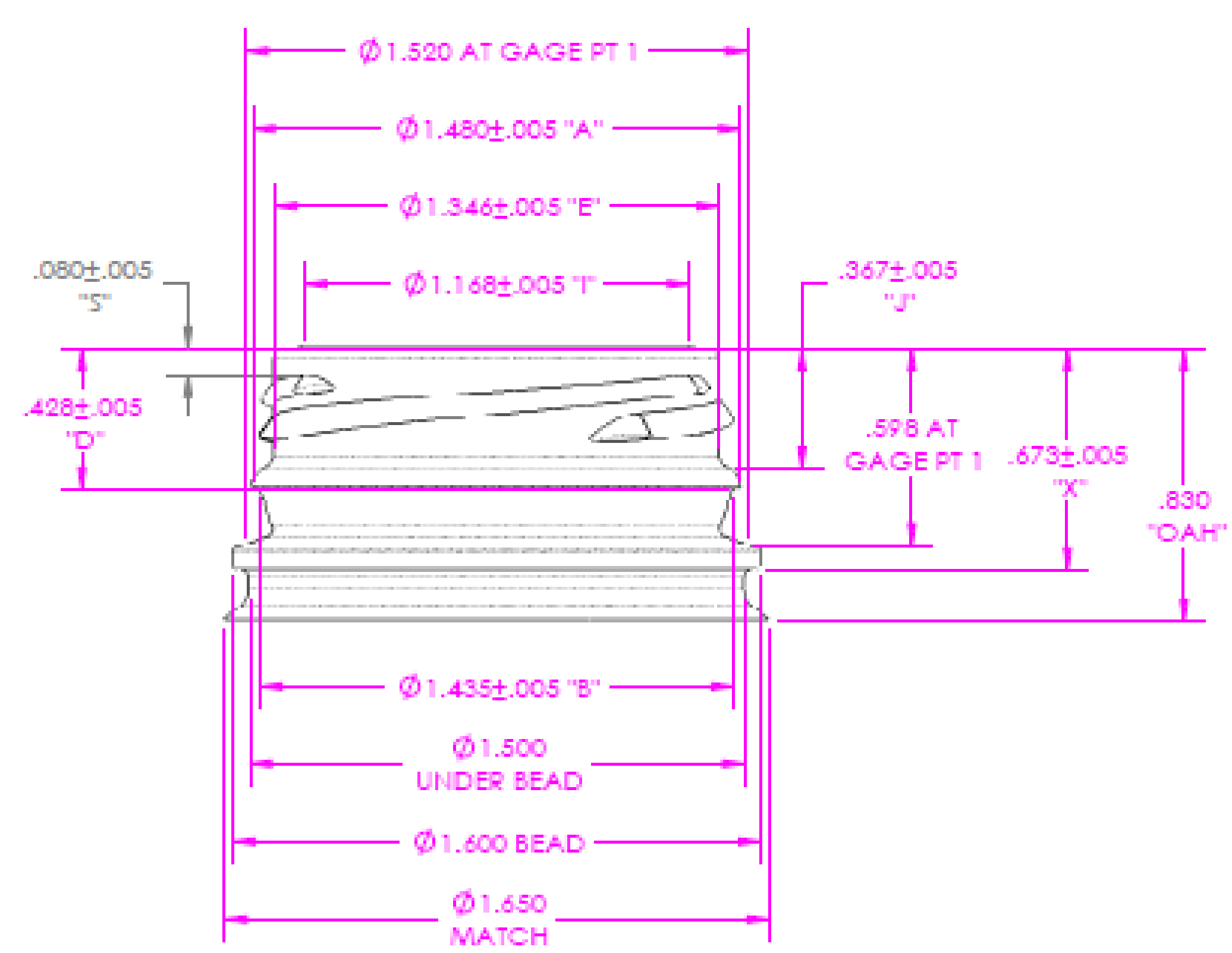
38mm PORTOLA STANDARD SCREW  
PER SPEC #701022A



38mm PORTOLA ALPHA 5  
PER SPEC #723022H



38mm PORTOLA SNAP SCREW  
PER SPEC #N715021D



38mm PORTOLA DBJ  
PER SPEC #N358022 Rev.D

**DISCLAIMER**  
THIS INFORMATION IS PROVIDED AS A GENERAL GUIDE, INCLUDING DIMENSIONS. IT IS THE CUSTOMER'S RESPONSIBILITIES TO SELECT THE PROPER CONTAINER FOR PRODUCT AND APPLICATION COMPATIBILITY.

DISTRIBUTED BY: PIPELINE Packaging  
REF NO.: DWG30692  
DESCRIPTION: 32 oz Natural HDPE Square Dairy, 38-400, 35 Gram