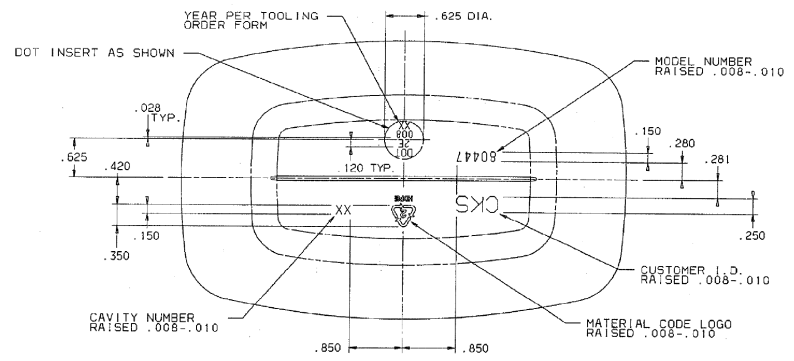



- NOTES:
1. CONTAINER WT. -- 145-170 GRAMS
 2. MATERIAL -- HDPE
 3. OVERFLOW CAPACITY -- 146.0 FL. OZ.
 4. FILL CAPACITY -- 128 FL. OZ.
 5. TOLERANCE:
 HORIZONTAL ± .080
 VERTICAL ± .000
 VOLUMETRIC ± 1.50 FL. OZ.



<p>DISCLAIMER</p> <p>THIS INFORMATION IS PROVIDED AS A GENERAL GUIDE, INCLUDING DIMENSIONS. IT IS THE CUSTOMER'S RESPONSIBILITIES TO SELECT THE PROPER CONTAINER FOR PRODUCT AND APPLICATION COMPATIBILITY.</p>	<p>DISTRIBUTED BY:</p> 	<p>REF NO.:</p> <p>DWG10254</p>
	<p>DESCRIPTION:</p> <p>128 oz HDPE F-Style, 38-400</p>	