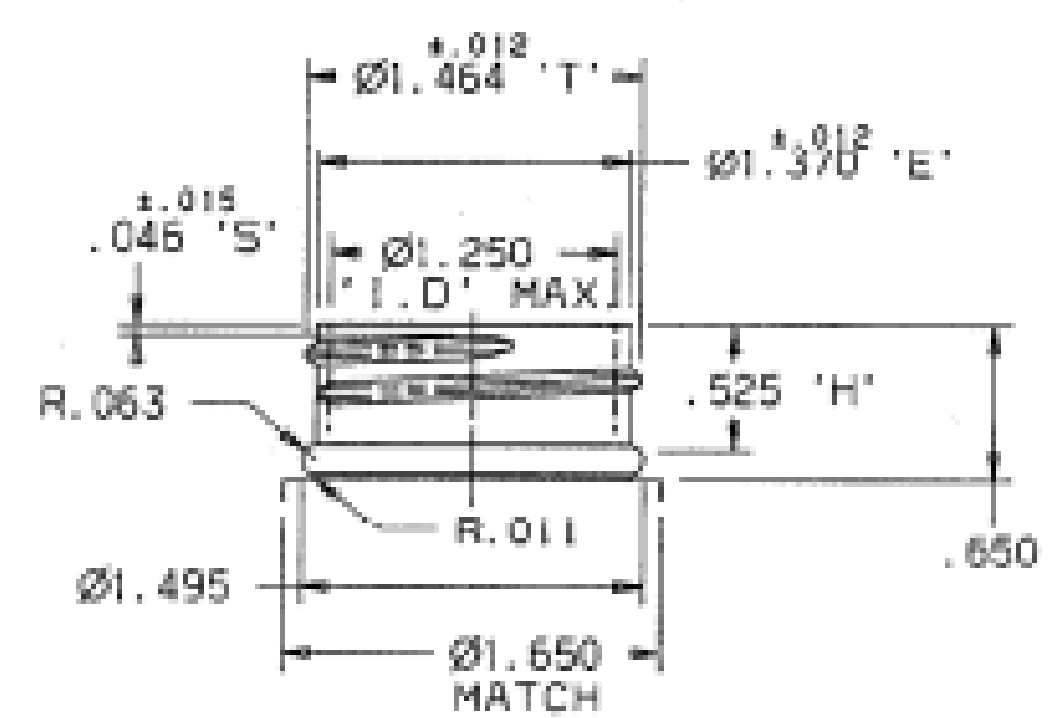
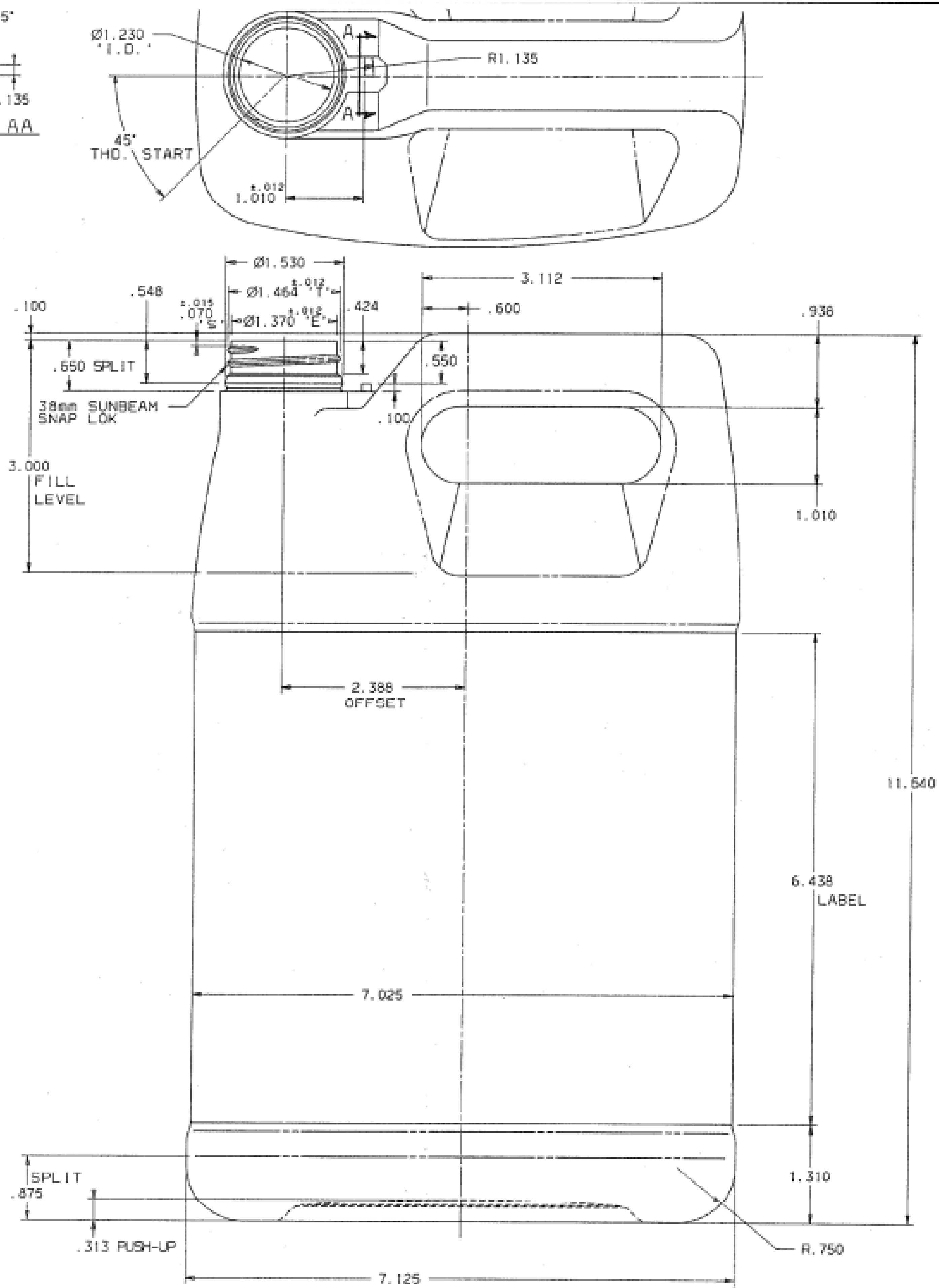


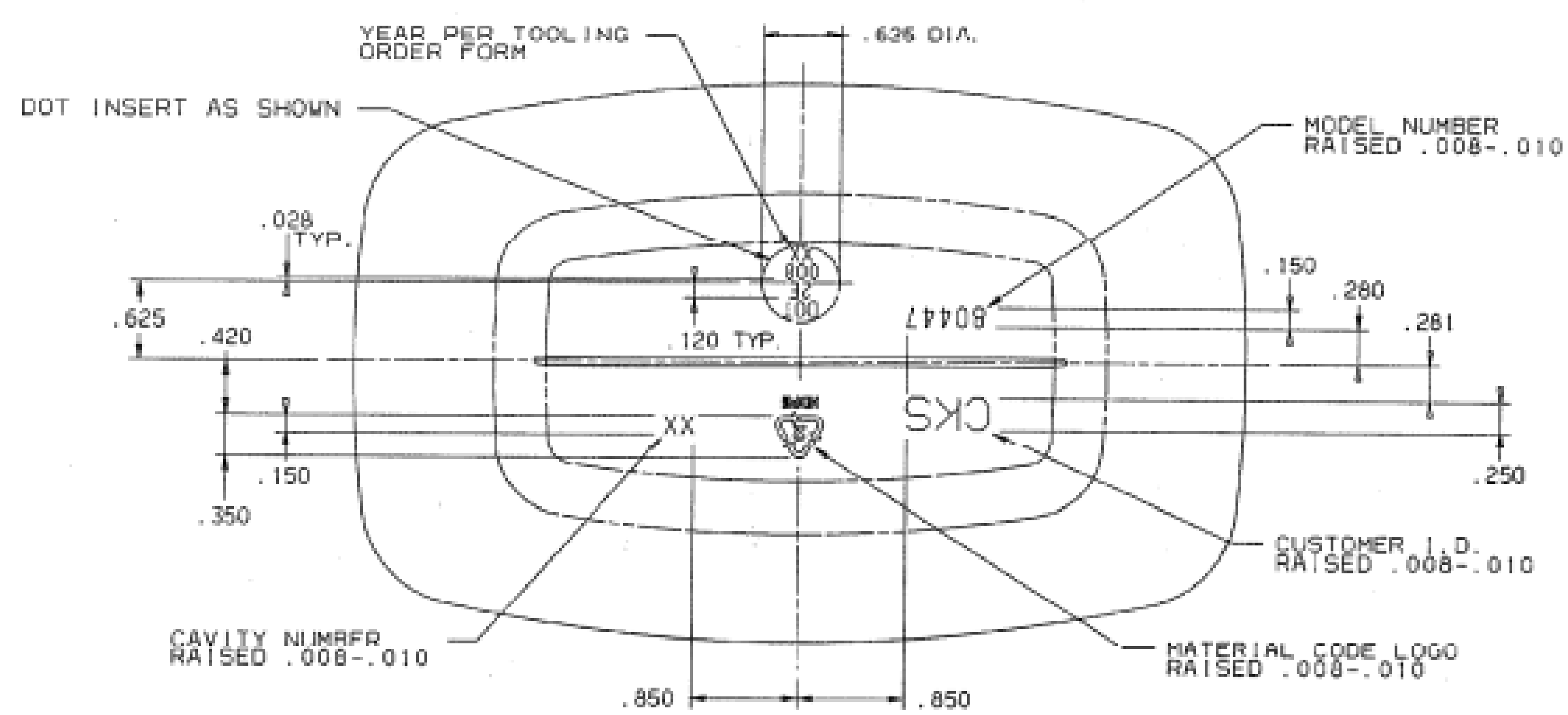
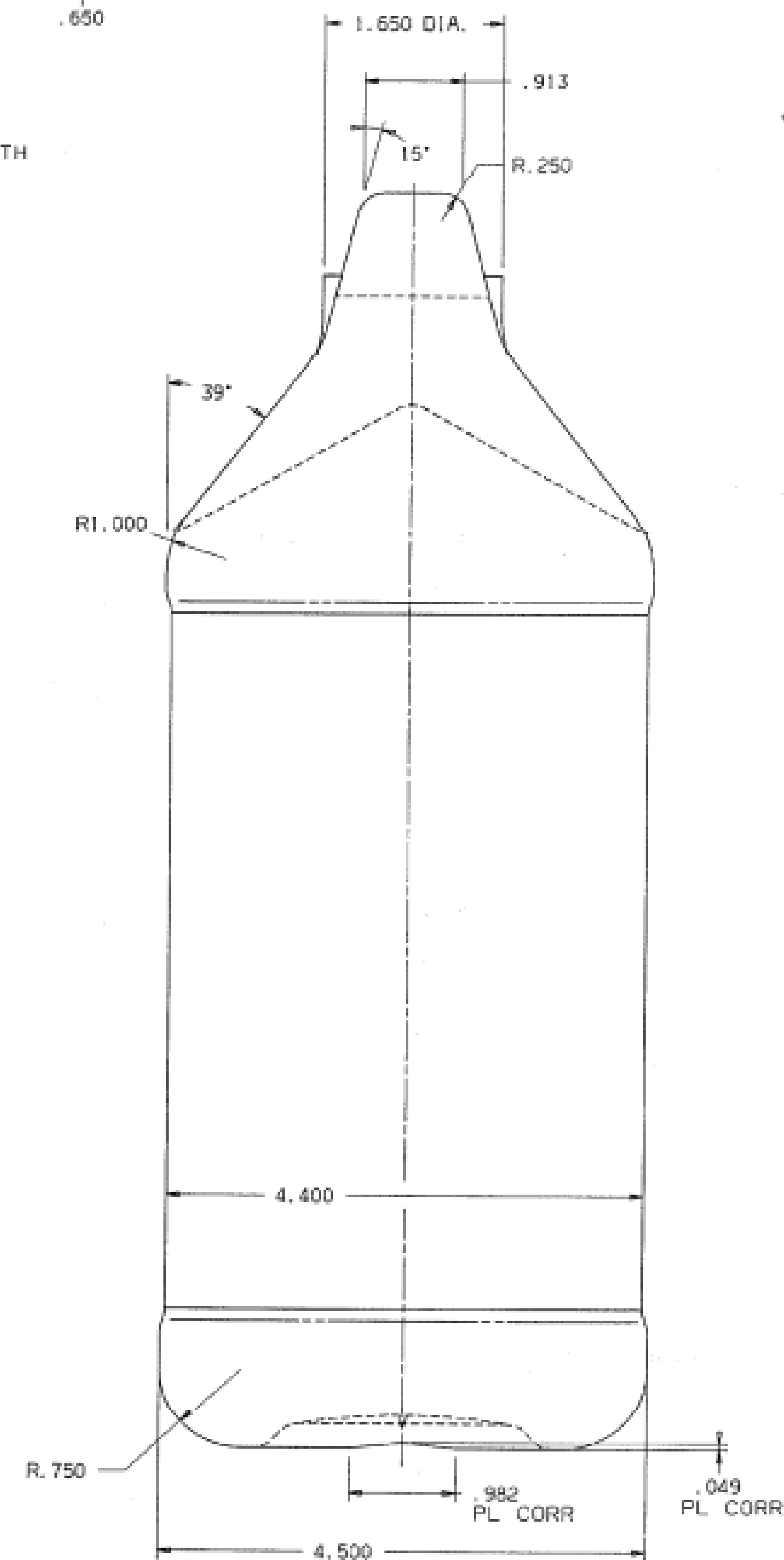
SECTION AA



38mm VAN BLARCOM  
420° THREAD @ FULL DEPTH



38mm ZAPATA TECHNOLOGIES  
NECK FINISH SEE SPEC  
\*1010-198 FOR DETAIL NOT SHOWN



NOTES:

- CONTAINER WT. -- 145-170 GRAMS
- MATERIAL -- HDPE
- OVERFLOW CAPACITY -- 146.0 FL. OZ.
- FILL CAPACITY -- 128 FL. OZ.
- TOLERANCE:  
HORIZONTAL ± .080  
VERTICAL ± .080  
VOLUMETRIC ± 1.50 FL. OZ.

DISCLAIMER

THIS INFORMATION IS PROVIDED AS A GENERAL GUIDE, INCLUDING DIMENSIONS. IT IS THE CUSTOMER'S RESPONSIBILITIES TO SELECT THE PROPER CONTAINER FOR PRODUCT AND APPLICATION COMPATIBILITY.

DISTRIBUTED BY:



REF NO.:

DWG30696

DESCRIPTION:

128 oz White HDPE F-Style, 38-400, 145 Gram