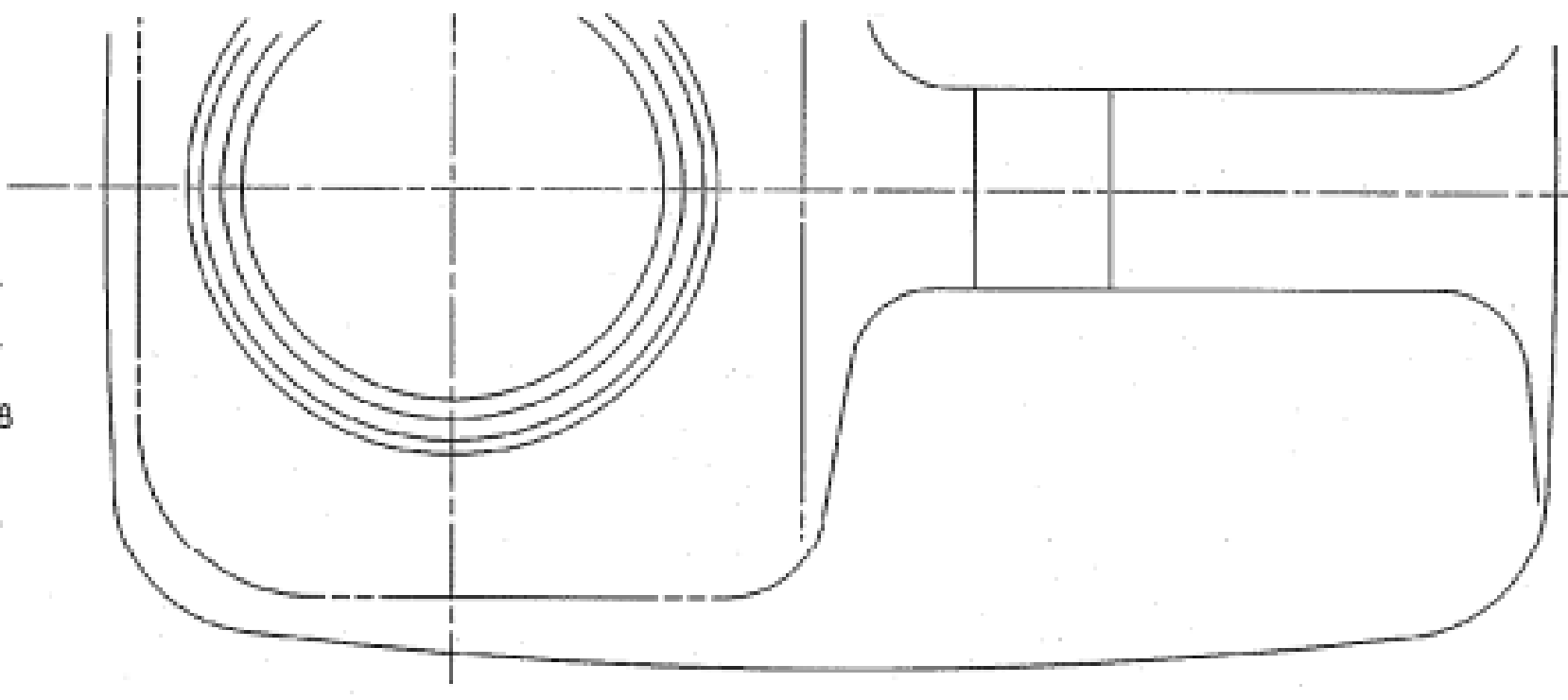
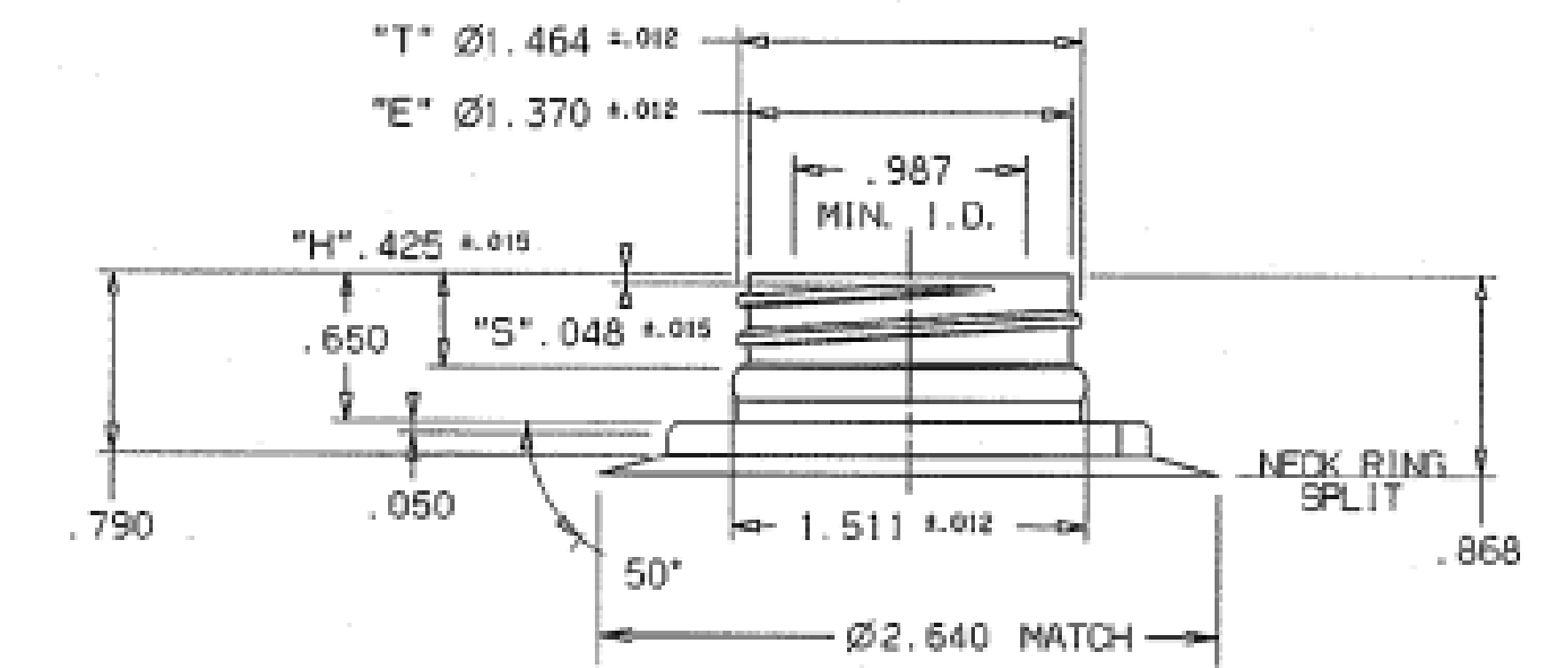
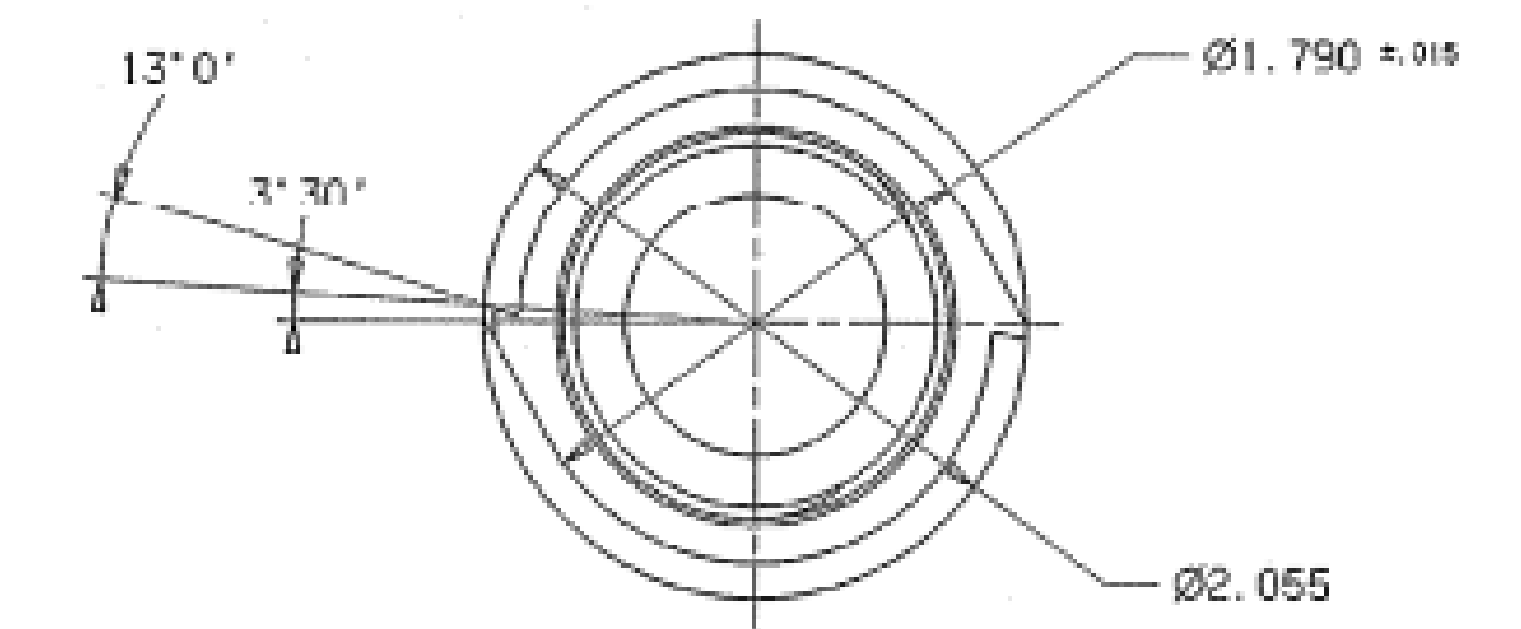


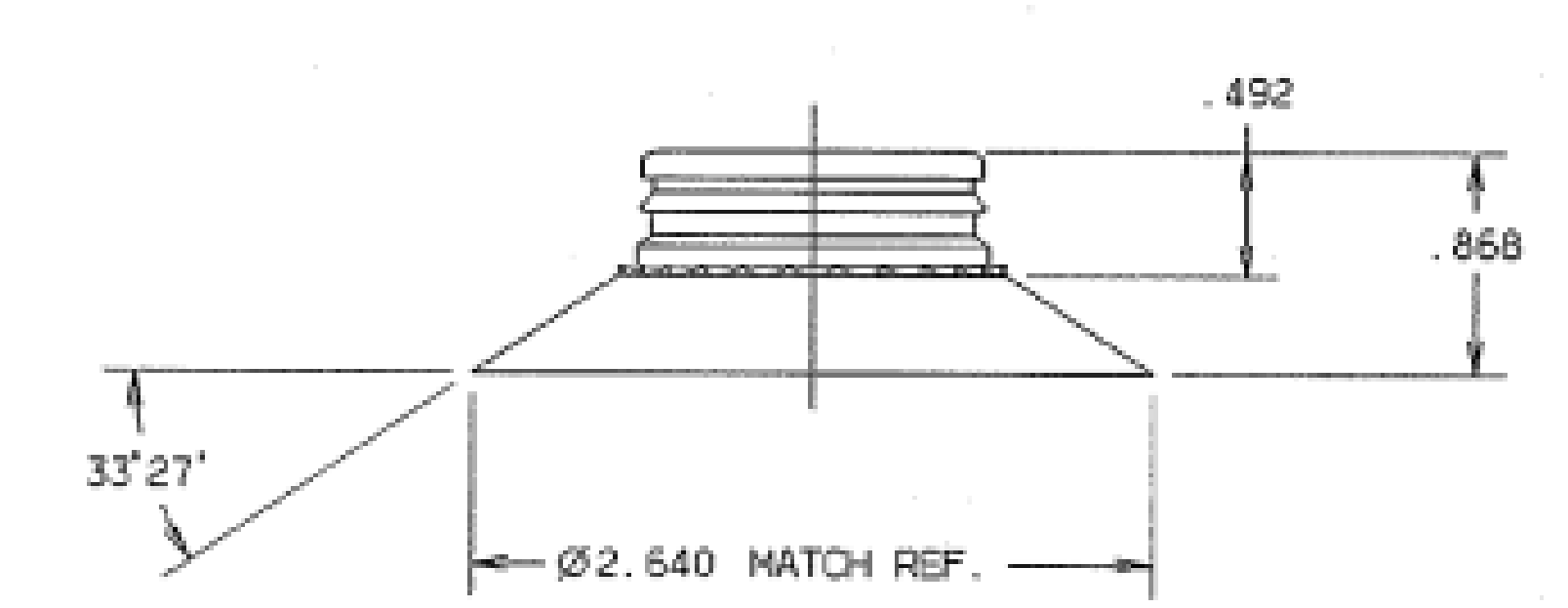
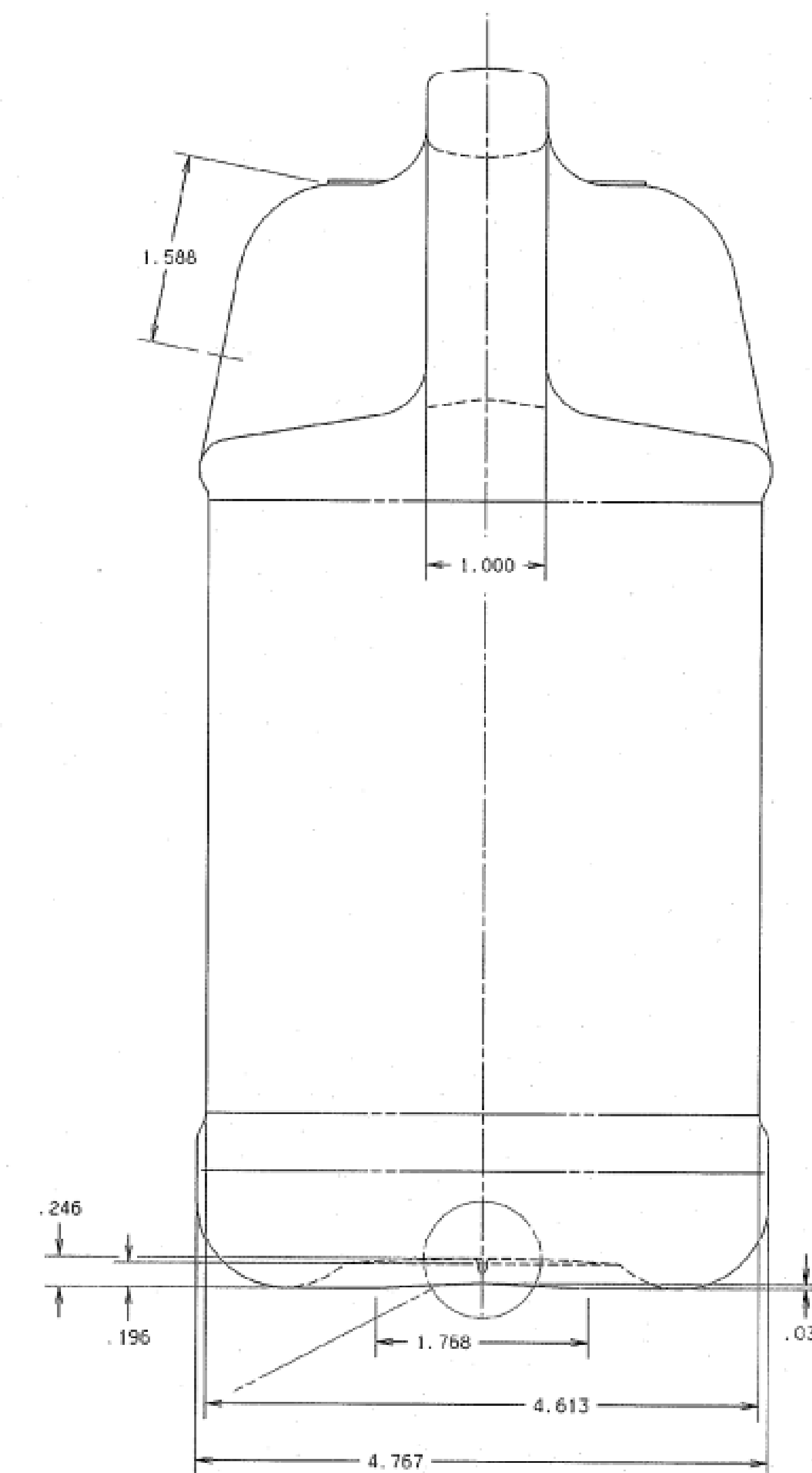
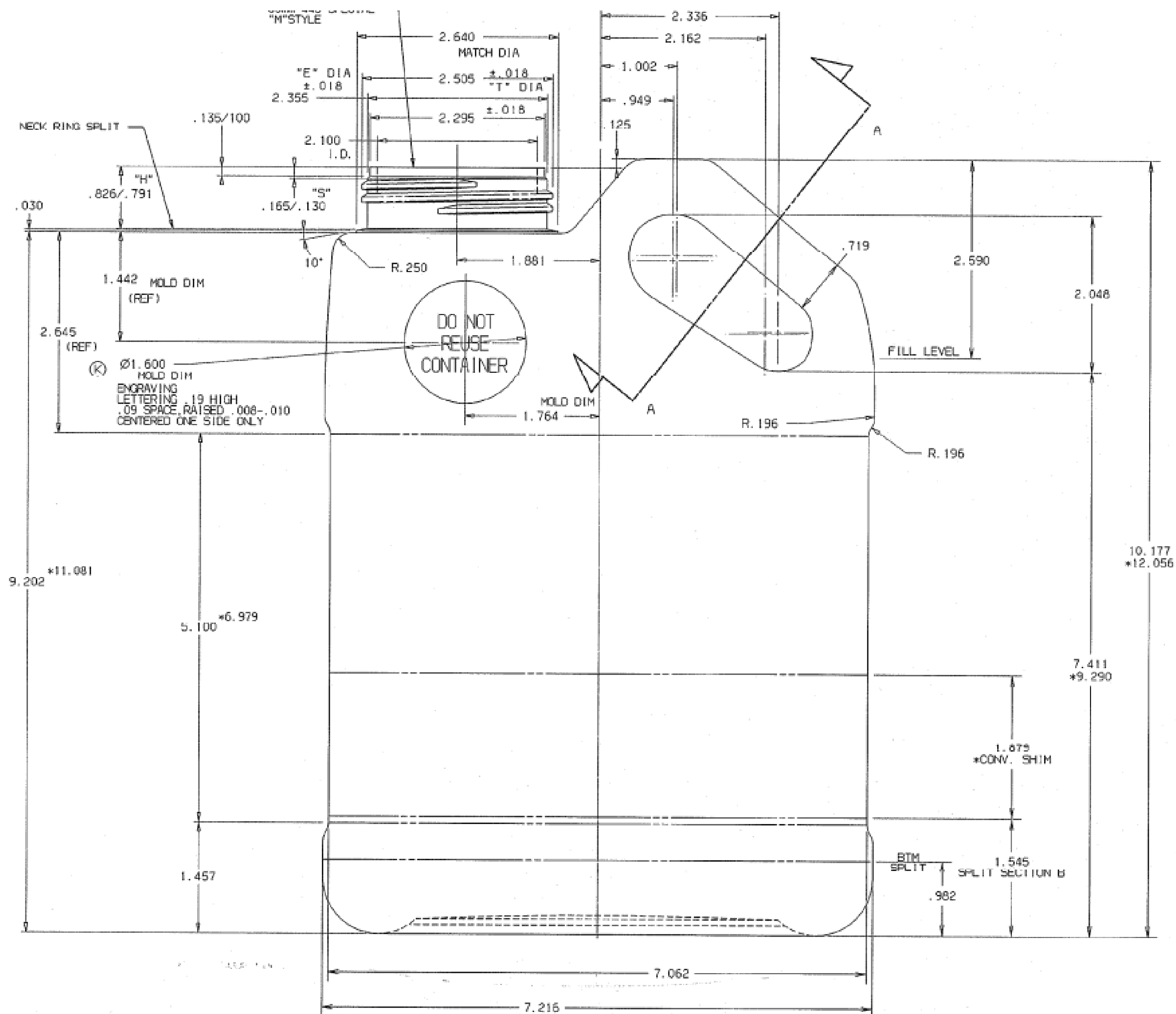
38mm SP400 'M' STYLE  
 1 FULL TURN OF THREAD  
 THREAD TO START 50° FROM PL  
 TOLERANCE ± .012 DIA  
 ± .03 HEIGHT



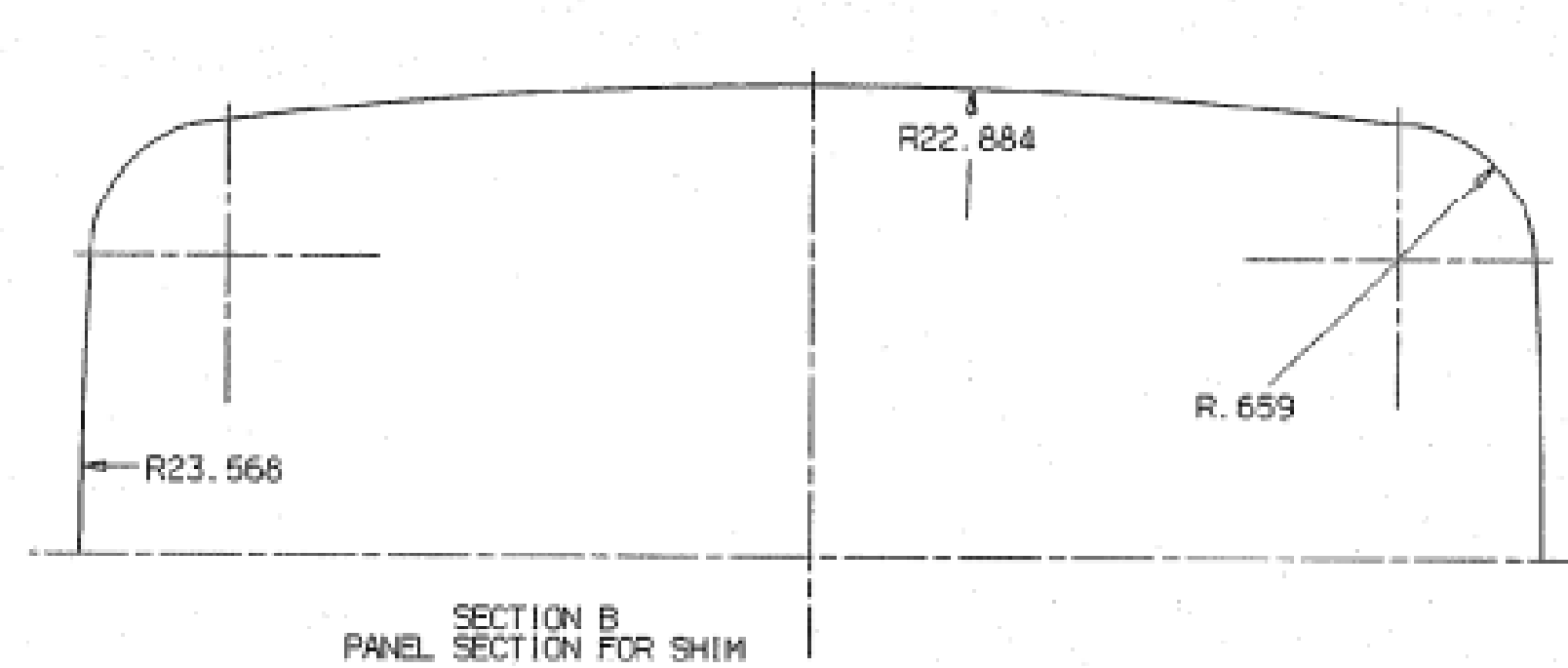
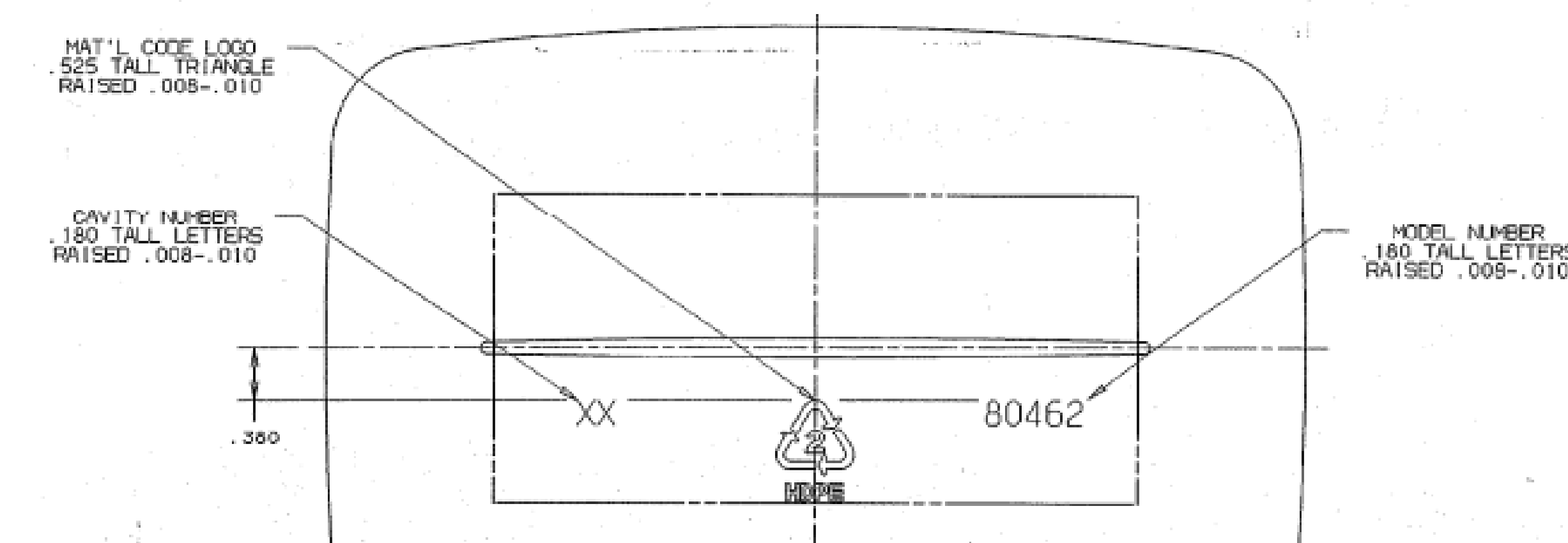
38mm SUNBUSH SNAP-LOC 'M' STYLE  
 1 1/2 TURNS OF THREAD  
 THREAD TO START 45° FROM PL  
 TOLERANCE ± .012 DIA  
 ± .015 HEIGHT



38 MM SO-LOCK NECK FINISH  
 SEE NECK FINISH DETAIL FOR FURTHER DIMENSIONS



38mm CAP SNAP SC-11  
 SEE SPEC #8-1010-51  
 FOR DIMENSIONS NOT SHOWN



**DISCLAIMER**

THIS INFORMATION IS PROVIDED AS A GENERAL GUIDE, INCLUDING DIMENSIONS. IT IS THE CUSTOMER'S RESPONSIBILITIES TO SELECT THE PROPER CONTAINER FOR PRODUCT AND APPLICATION COMPATIBILITY.

DISTRIBUTED BY:		REF NO.:	DWG30701
DESCRIPTION:	128 oz Black HDPE Squat F-Style, 63-445, 145 Gram		