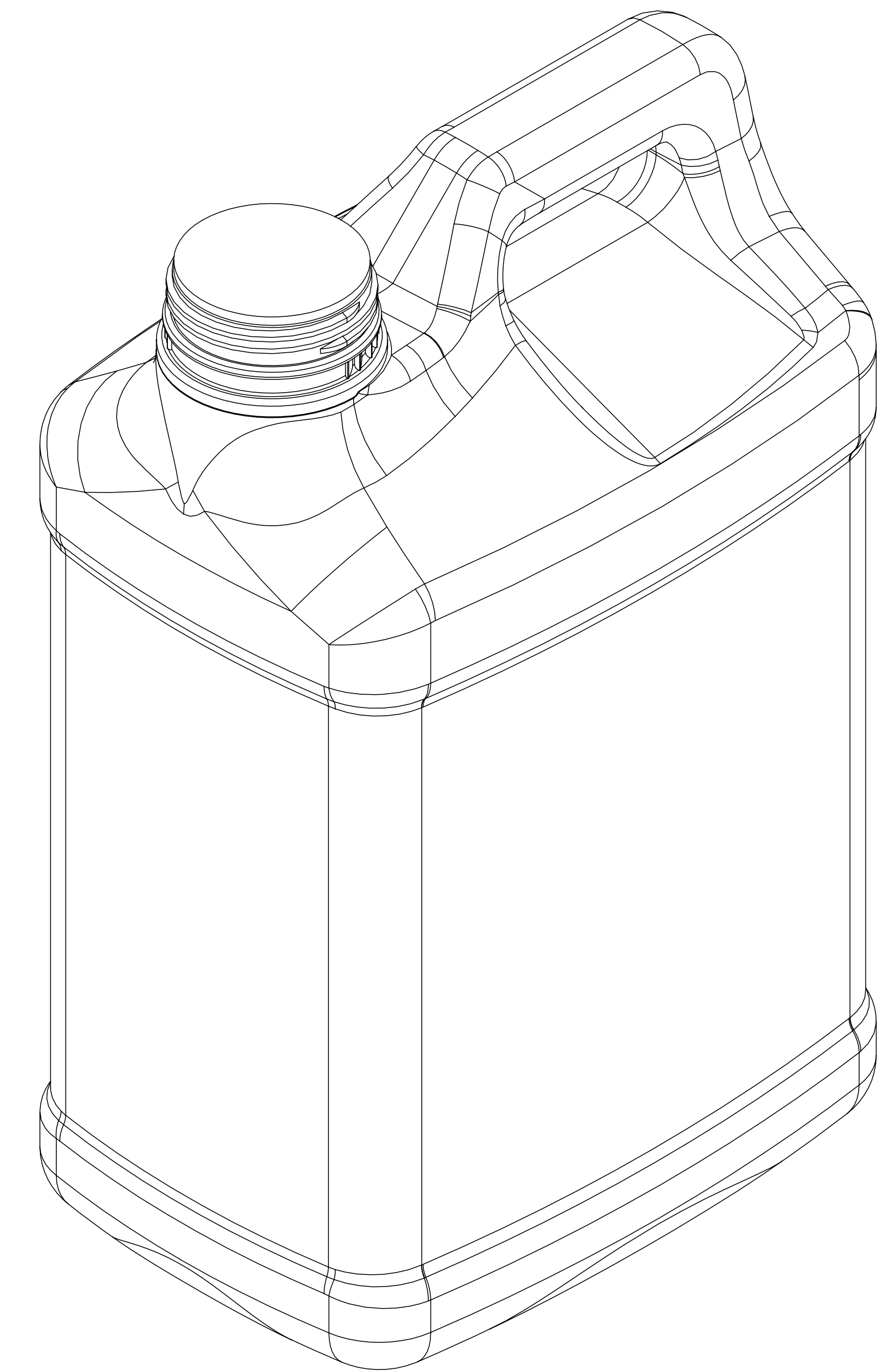
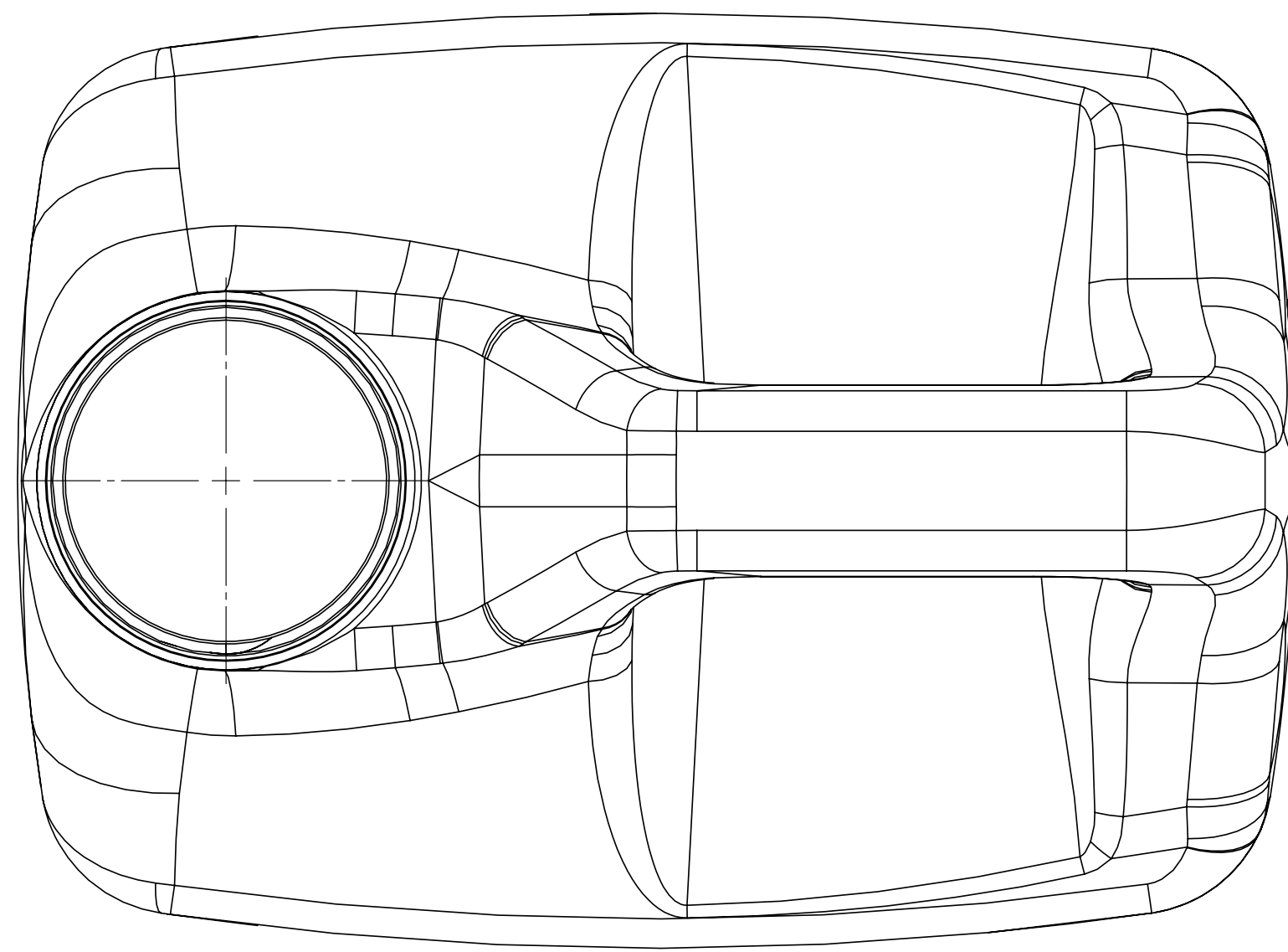
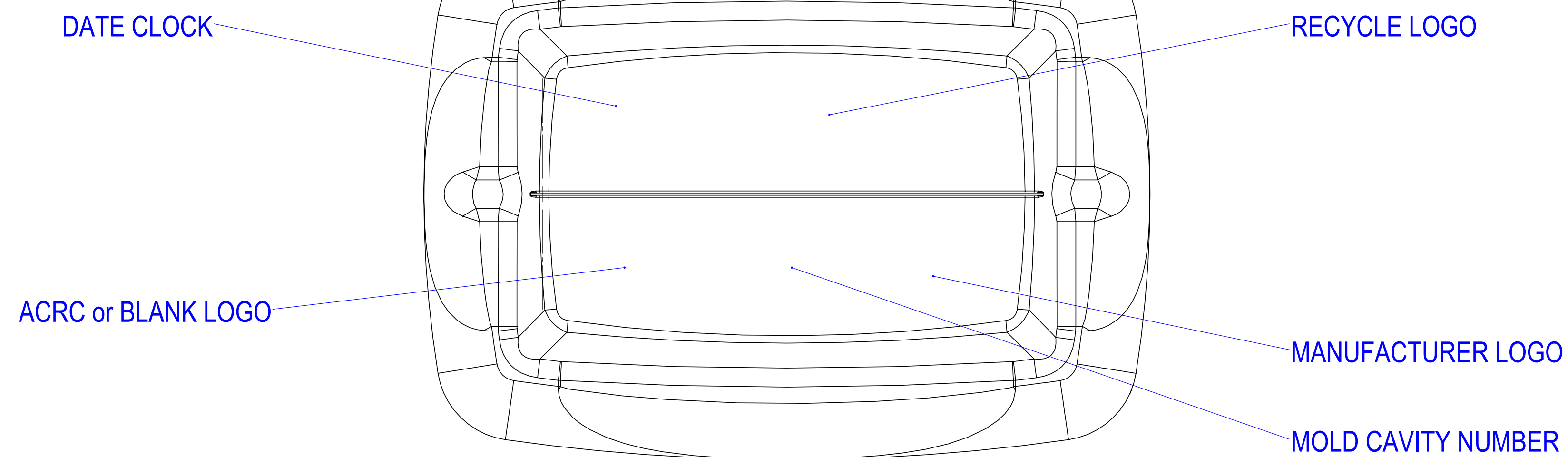
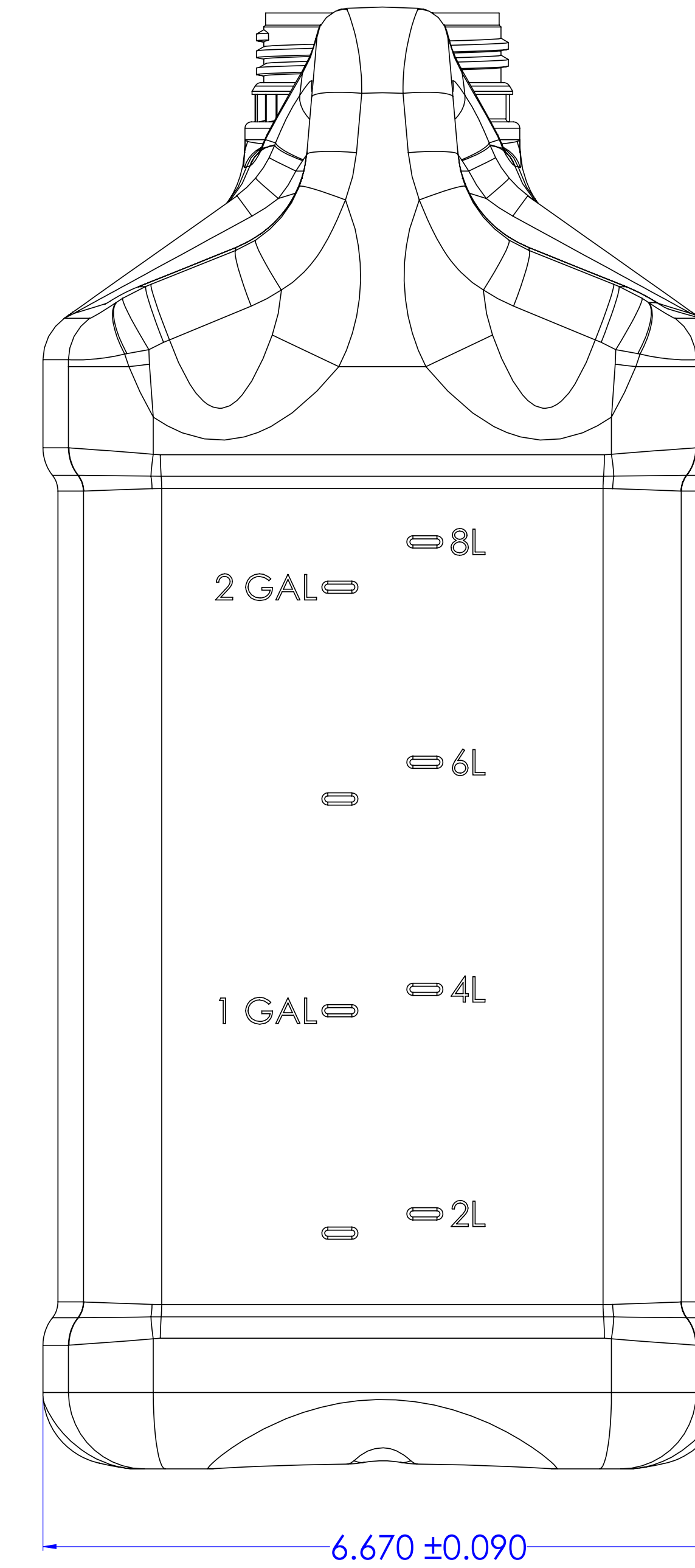
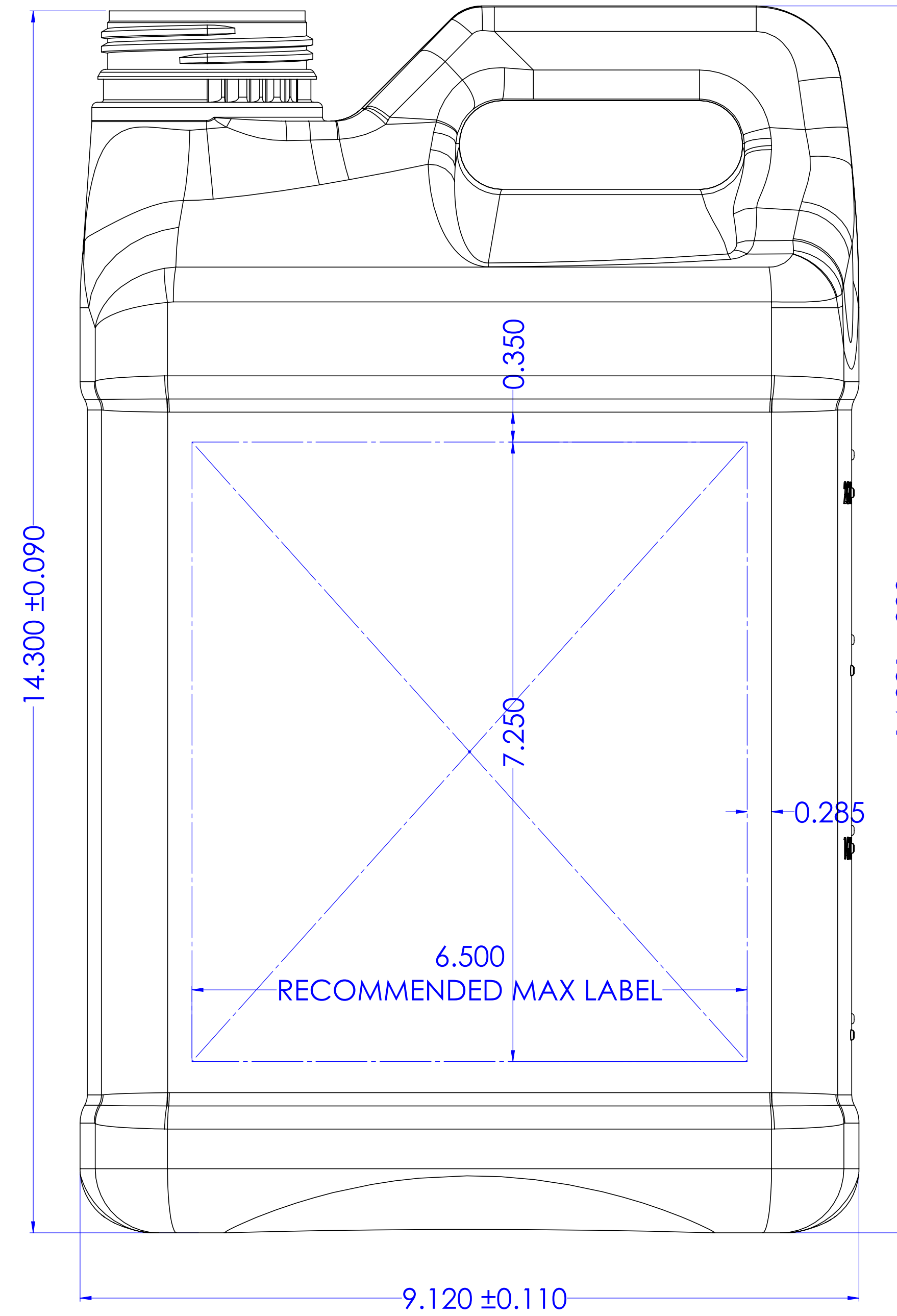
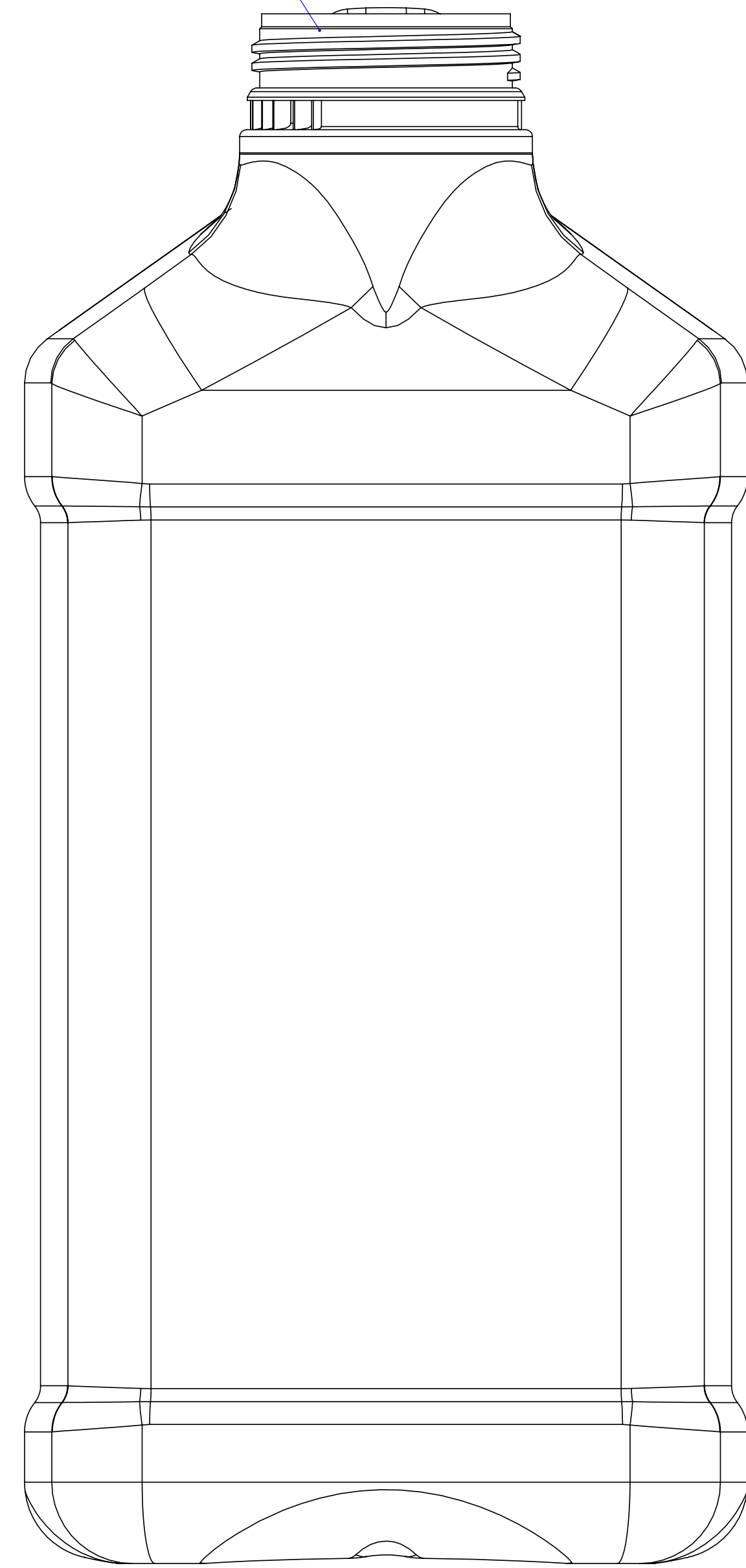


63MM-RIEKE TE/ABO NECK FINISH  
 RIEKE DRAWING #18001520 -  
 DETAIL #M0768-002-A

"T" - 2.495 ± .020  
 "E" - 2.350 ± .020  
 "S" - 0.165 ± .015  
 "H" - 1.070 ± .015  
 BEAD  $\phi$  = 2.560 ± .020  
 RATCHET  $\phi$  = 2.500 ± .020



63MM RIEKE NECK FINISH



NOTES:  
 1. OVERFLOW CAPACITY = 10.88L (10880cc).

<p><b>DISCLAIMER</b></p> <p>THIS INFORMATION IS PROVIDED AS A GENERAL GUIDE, INCLUDING DIMENSIONS. IT IS THE CUSTOMER'S RESPONSIBILITIES TO SELECT THE PROPER CONTAINER FOR PRODUCT AND APPLICATION COMPATIBILITY.</p>	<p>DISTRIBUTED BY: </p>	<p>REF NO.: DWG30705</p>
	<p>DESCRIPTION: 2.5 Gallon White HDPE F-Style with View Stripe, 63 mm, 350 Gram</p>	