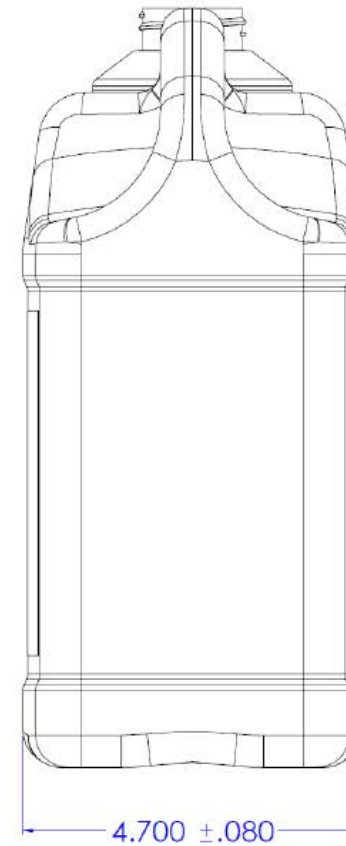
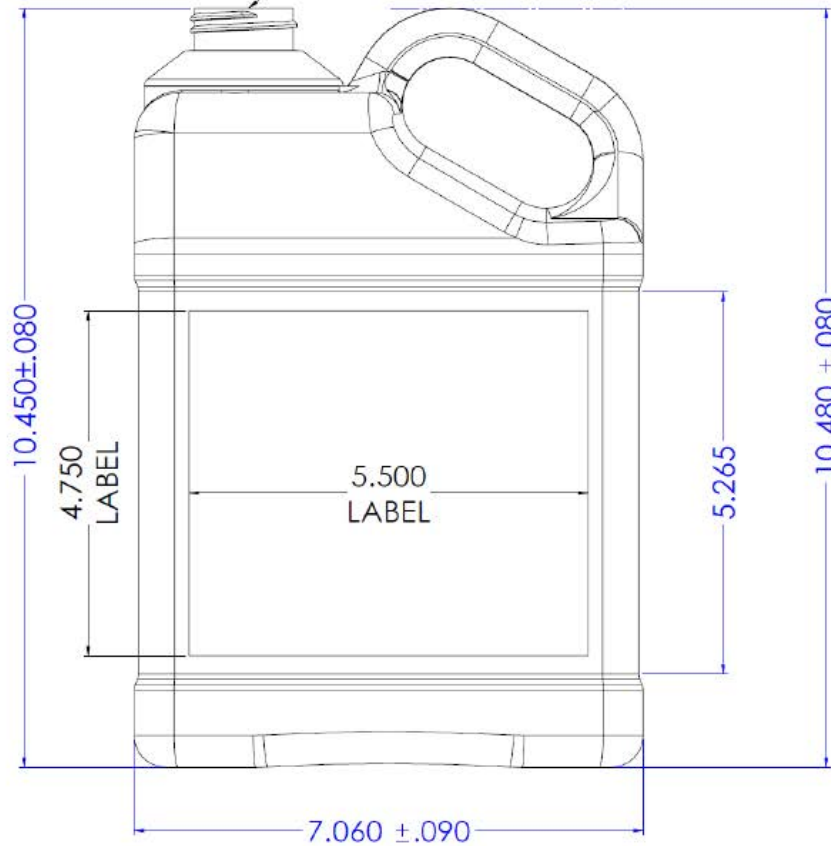


FINISH: M38SP410 SPECIAL  
 MODIFIED BUTTRESS THREAD  
 8 T.P.L. x 1 1/2 FULL TURN OF THD.  
 "T" DIA. = 1.476/1.464/1.452  
 "E" DIA. = 1.382/1.370/1.358  
 "S" = .061/.046/.031  
 "H" = .600/.585/.570

38mm-400  
 NECK FINISH



**DISCLAIMER**

THIS INFORMATION IS PROVIDED AS A GENERAL GUIDE, INCLUDING DIMENSIONS. IT IS THE CUSTOMER'S RESPONSIBILITIES TO SELECT THE PROPER CONTAINER FOR PRODUCT AND APPLICATION COMPATIBILITY.

DISTRIBUTED BY:



REF NO.:

DESCRIPTION: