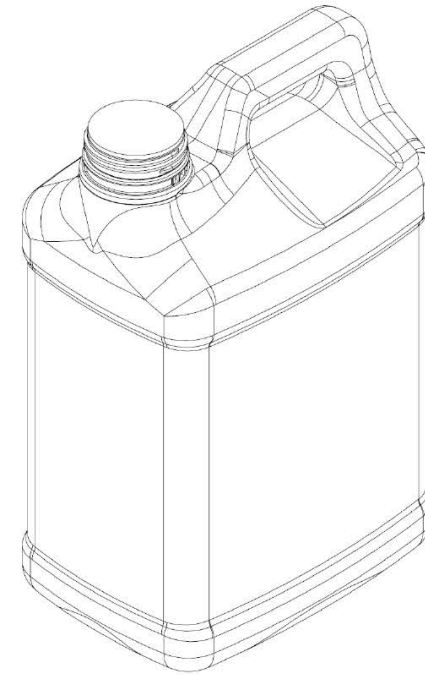
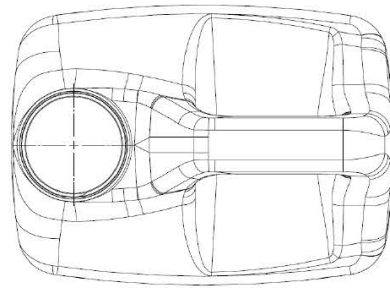
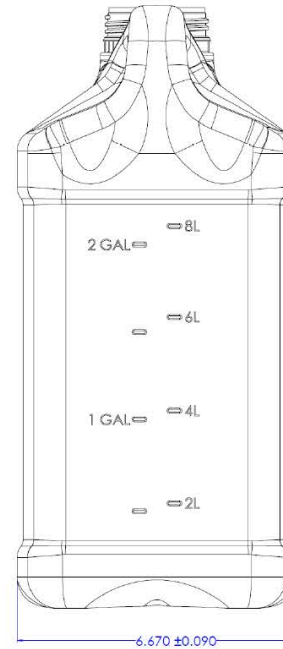
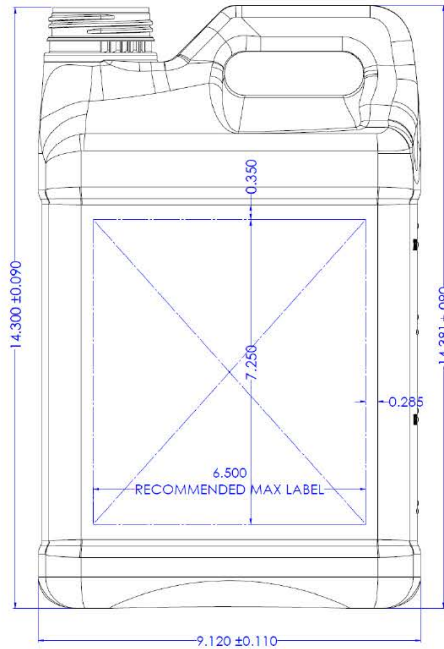
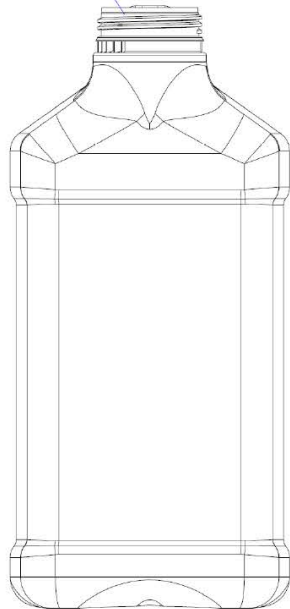


63MM-RIEKE TE/ARO NECK FINISH
 RIEKE DRAWING #18001520-
 DETAIL #M0768-002-A

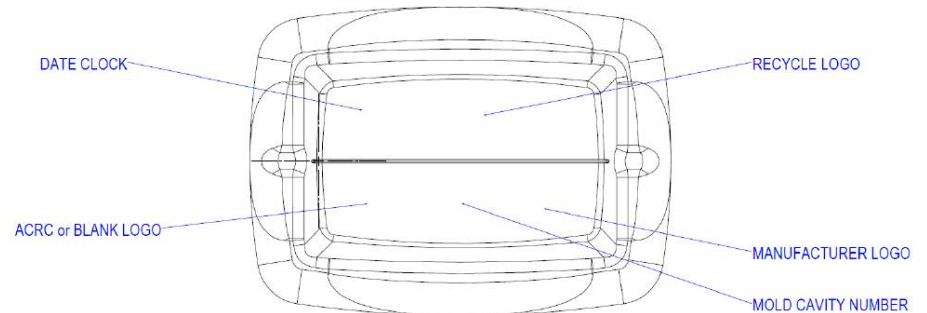
T¹ - 2.495 ± .020
 E¹ - 2.350 ± .020
 S¹ - 0.165 ± .015
 H¹ - 1.070 ± .015
 BEAD ϕ = 2.560 ± .020
 RATCHET ϕ = 2.500 ± .020



63MM RIEKE NECK FINISH



NOTES:
 1. OVERFLOW CAPACITY = 10.88L (10880cc).



DISCLAIMER

THIS INFORMATION IS PROVIDED AS A GENERAL GUIDE, INCLUDING DIMENSIONS. IT IS THE CUSTOMER'S RESPONSIBILITIES TO SELECT THE PROPER CONTAINER FOR PRODUCT AND APPLICATION COMPATIBILITY.

DISTRIBUTED BY:



REF NO.:

DESCRIPTION: