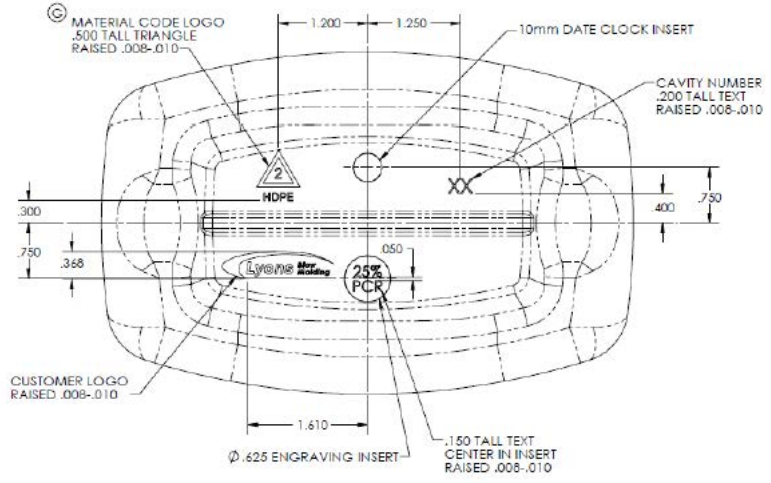
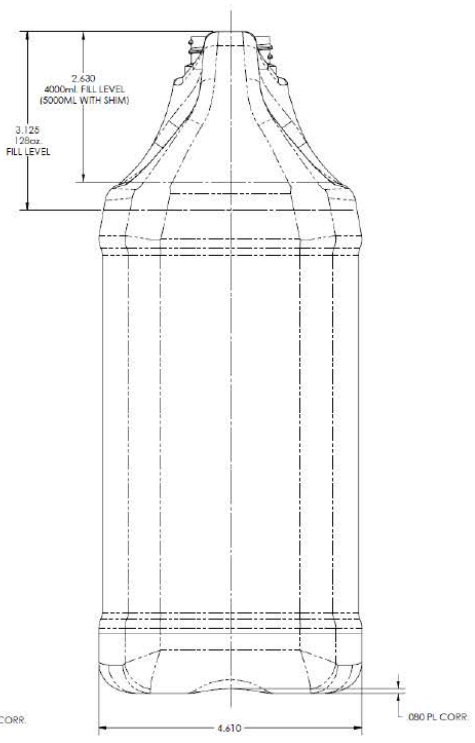
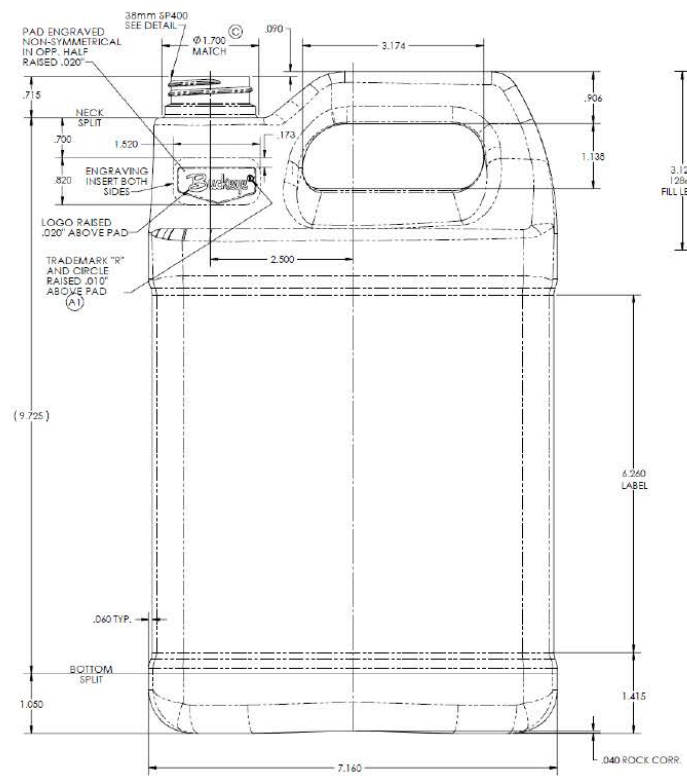
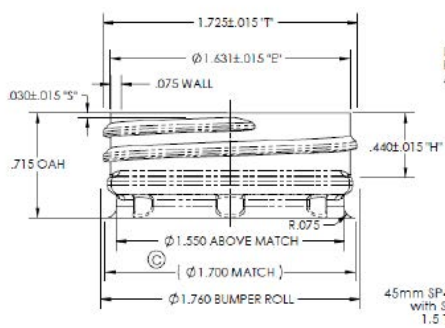



- ① SPECIAL THREAD PROFILE  
 ② THREAD START 90° TO PL IN PREV HALF  
 ③ 2 TURNS OF THREAD  
 ④ PITCH = .125"



- Notes:**
- 1) Tolerances Unless Specified:  
 Vertical -- ±.080" (.090" for 5 liter)  
 Horizontal -- ±.090"  
 Volumetric -- ±1.80 oz / 53ml / 59ml
  - 2) Bottles to be Checked Aged with 20 °C water
  - 3) Estimated Bulge -- 1.0 oz. / 30ml / 40ml
  - 4) Label Circumference -- 20.093"
  - 5) Container Weight:  
 130-160 grams -- 1 Gallon  
 130-177 grams -- 4 Liter  
 170-190 grams -- 5 Liter

**DISCLAIMER**

THIS INFORMATION IS PROVIDED AS A GENERAL GUIDE, INCLUDING DIMENSIONS. IT IS THE CUSTOMER'S RESPONSIBILITIES TO SELECT THE PROPER CONTAINER FOR PRODUCT AND APPLICATION COMPATIBILITY.

DISTRIBUTED BY: 

DESCRIPTION:

REF NO.: