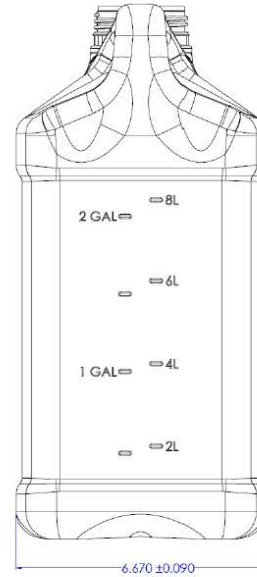
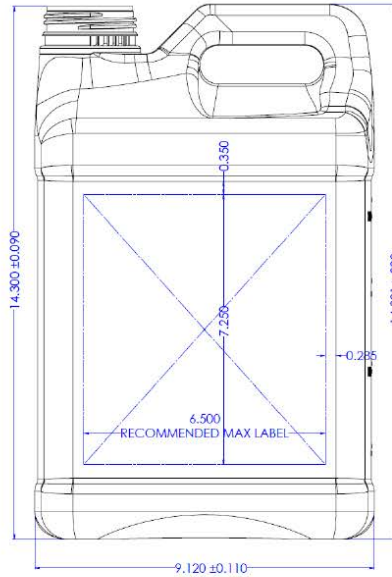
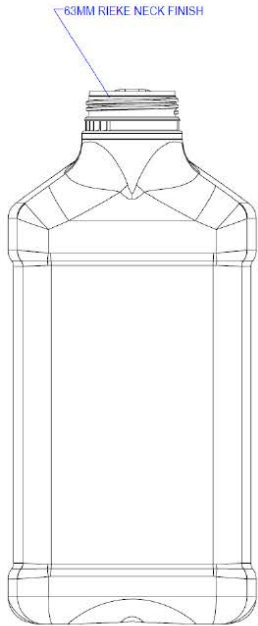
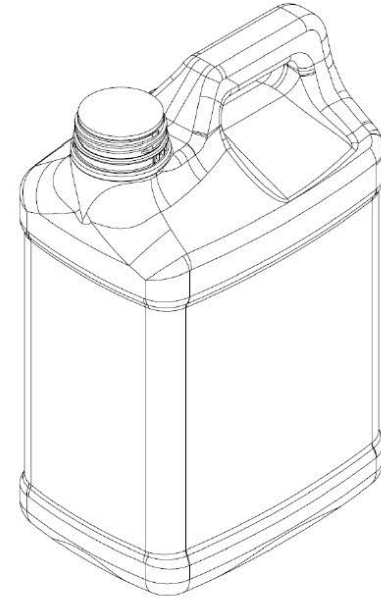
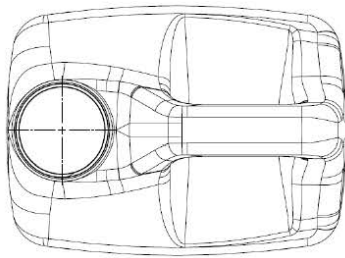
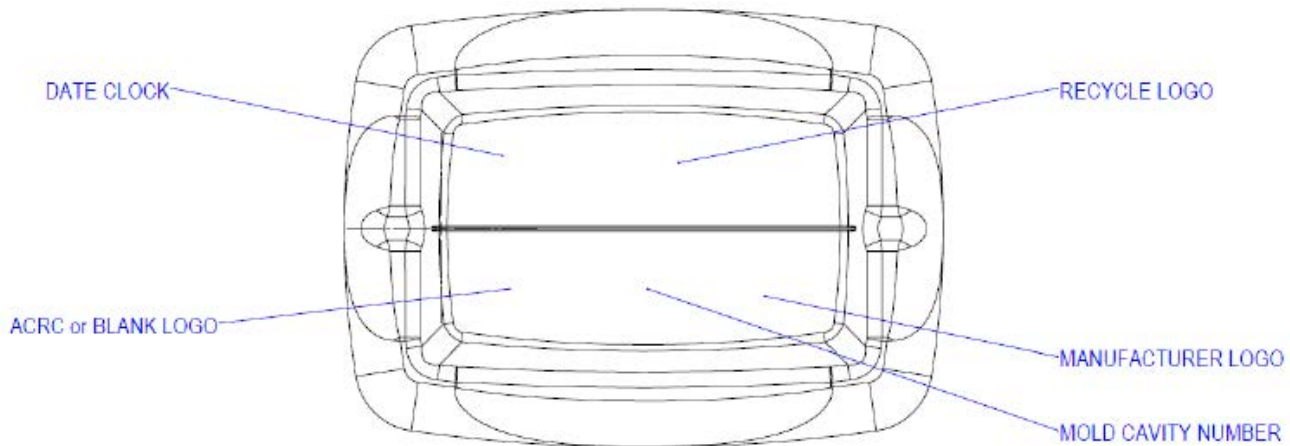


63MM-RIEKE TE/ARO NECK FINISH
 RIEKE DRAWING #18001520-
 DETAIL #M0768-002-A

T⁺ - 2.495 ± 0.020
 E⁺ - 2.350 ± 0.020
 S⁺ - 0.165 ± 0.015
 H⁺ - 1.070 ± 0.015
 BEAD ϕ = 2.500 ± 0.020
 RATCHET ϕ = 2.500 ± 0.020



NOTES:
 1. OVERFLOW CAPACITY = 10.88L (10680cc)



DISCLAIMER

THIS INFORMATION IS PROVIDED AS A GENERAL GUIDE, INCLUDING DIMENSIONS. IT IS THE CUSTOMER'S RESPONSIBILITIES TO SELECT THE PROPER CONTAINER FOR PRODUCT AND APPLICATION COMPATIBILITY.

DISTRIBUTED BY:



REF NO.:

DESCRIPTION: