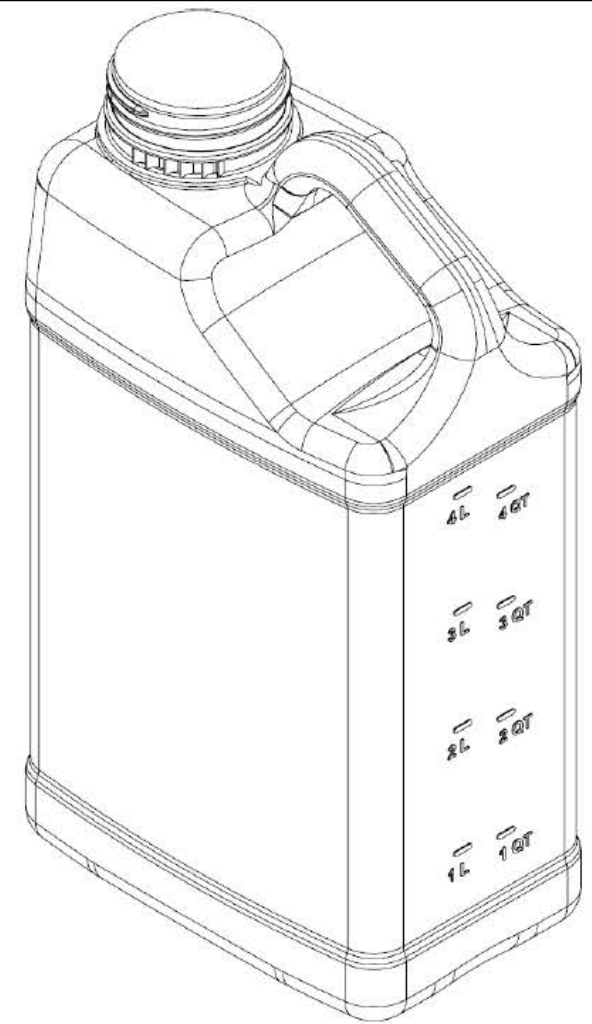
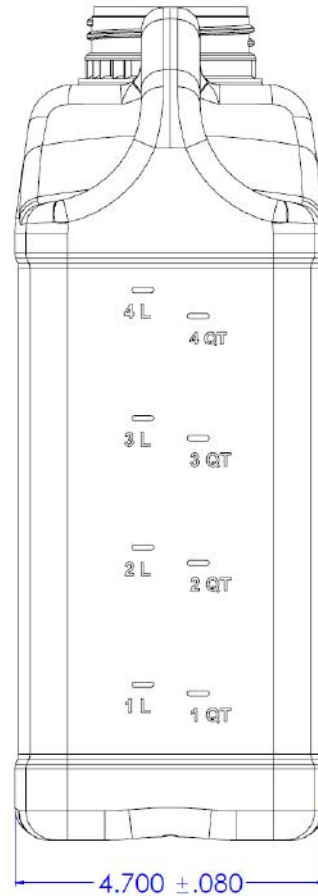
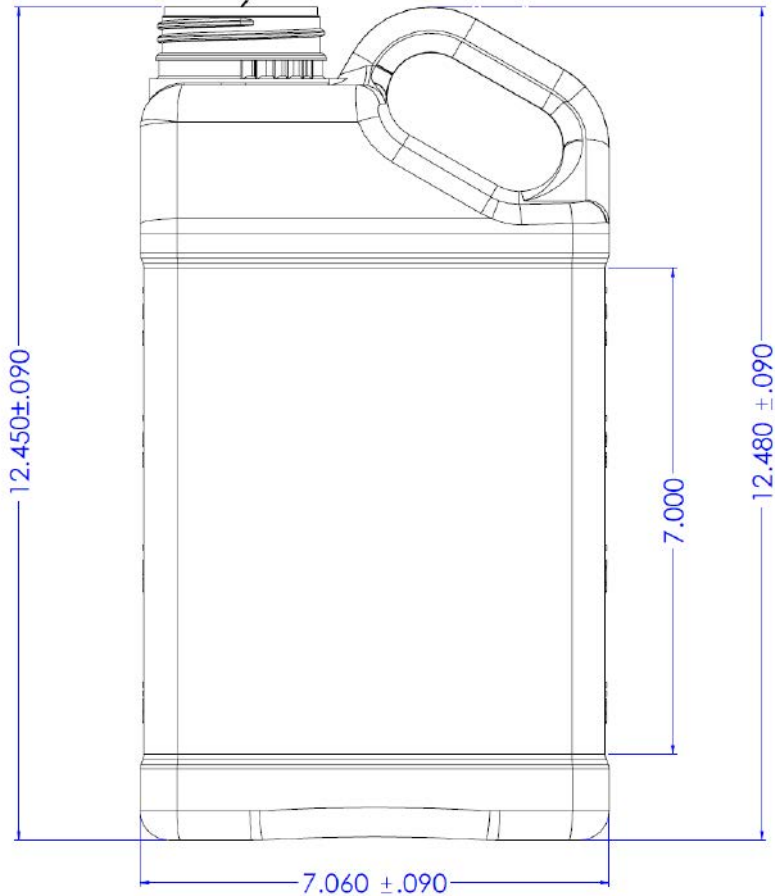


63MM-RIEKE TE/ABO + CR NECK FINISH  
RIEKE DRAWING #18001520 -  
DETAIL #M0768-002-A

"T" - 2.495 ± .020  
 "E" - 2.350 ± .020  
 "S" - 0.165 ± .015  
 "H" - 1.070 ± .015  
 BEAD  $\phi$  = 2.560 ± .020  
 RATCHET  $\phi$  = 2.500 ± .020

63MM-RIEKE TE/ABO  
 NECK FINISH



**NOTES:**

1. OVERFLOW CAPACITY = 180 FL/OZ.
2. MATERIAL = H.DP.E.
3. MOLD SETS = (4)  
 MOLDS--10-11-12-----TX PLANT  
 MOLDS--16-17-18-----IA PLANT  
 MOLDS--25-26-27-28---IA PLANT  
 MOLDS--29-30-31-----GA PLANT
4. FILL LEVEL GRADUATIONS ONLY MOLDS BELOW  
 MOLDS--10-11-12---TX PLANT---NECK & HANDLE SIDE  
 MOLDS--16-17-18---IA PLANT----HANDLE SIDE
5. VIEWSTRIPE CAPABLE.

**DISCLAIMER**

THIS INFORMATION IS PROVIDED AS A GENERAL GUIDE, INCLUDING DIMENSIONS. IT IS THE CUSTOMER'S RESPONSIBILITIES TO SELECT THE PROPER CONTAINER FOR PRODUCT AND APPLICATION COMPATIBILITY.

DISTRIBUTED BY:



REF NO.:

DESCRIPTION: