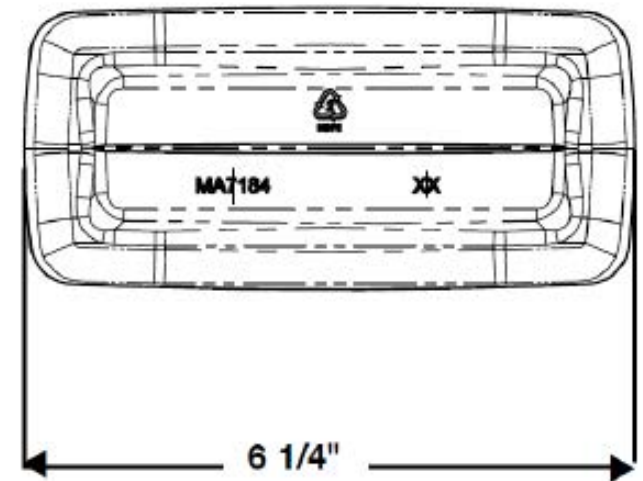


**MATERIAL:** HDPE  
**NECK FINISH:** 38-400  
**WEIGHT:** 96 GRAMS  
**BOTTLE HEIGHT:** 8 7/8"  
**PANEL HEIGHT:** 4 3/4"  
**CAPACITY:** 64 Oz.  
**LABEL DIMENSIONS:**  
 4 1/4 " X 4 3/4"



**DISCLAIMER**

THIS INFORMATION IS PROVIDED AS A GENERAL GUIDE, INCLUDING DIMENSIONS. IT IS THE CUSTOMER'S RESPONSIBILITIES TO SELECT THE PROPER CONTAINER FOR PRODUCT AND APPLICATION COMPATIBILITY.

DISTRIBUTED BY:



REF NO.:

DESCRIPTION: