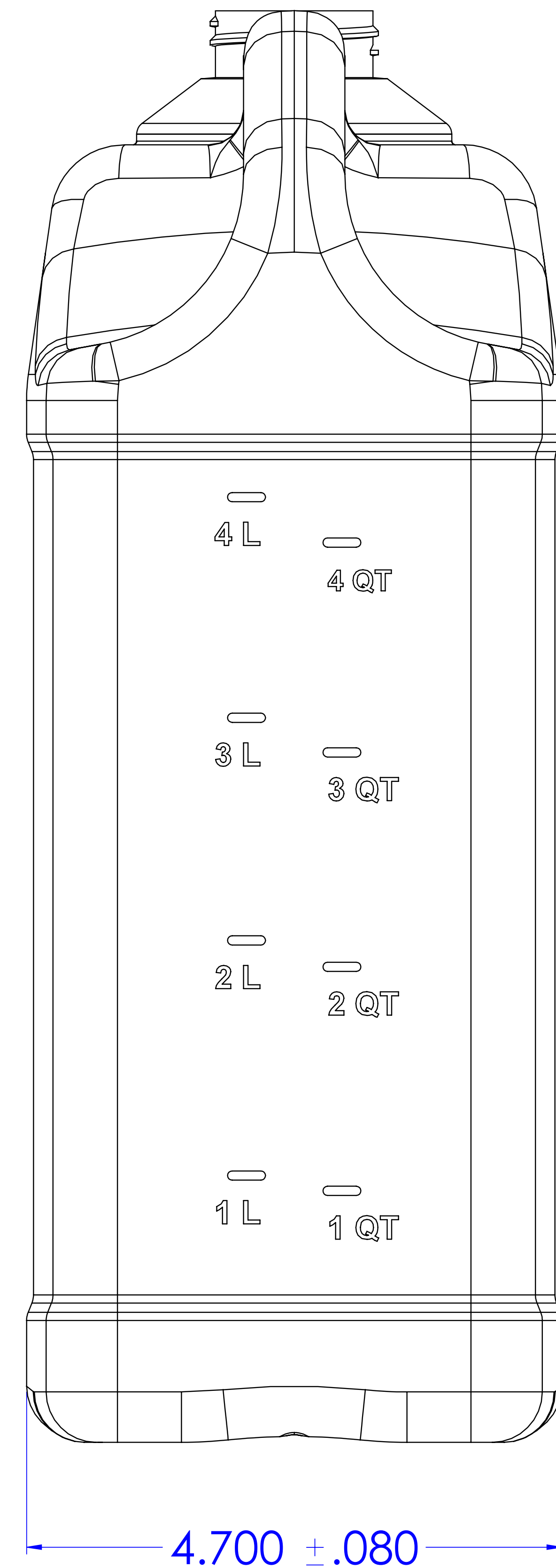
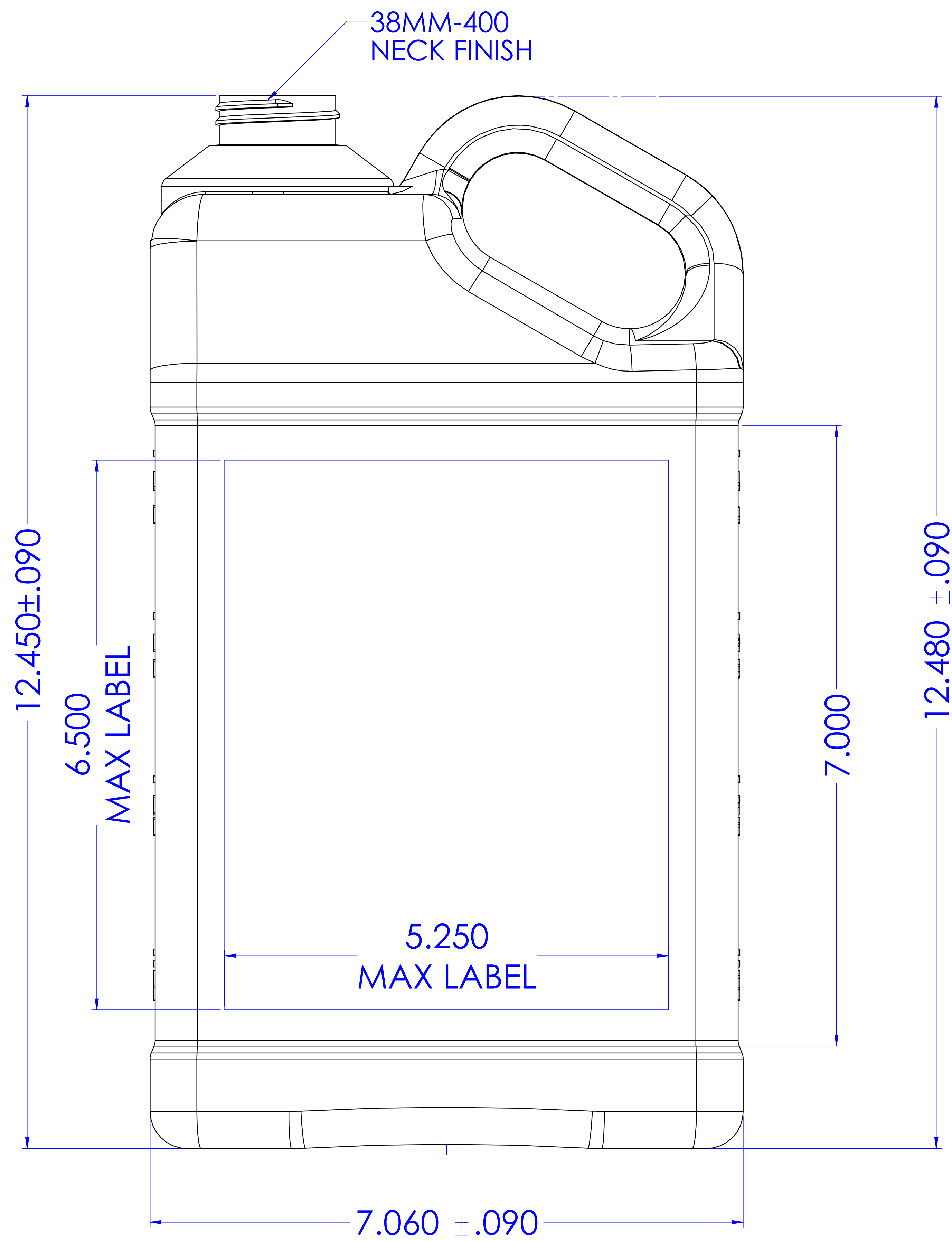
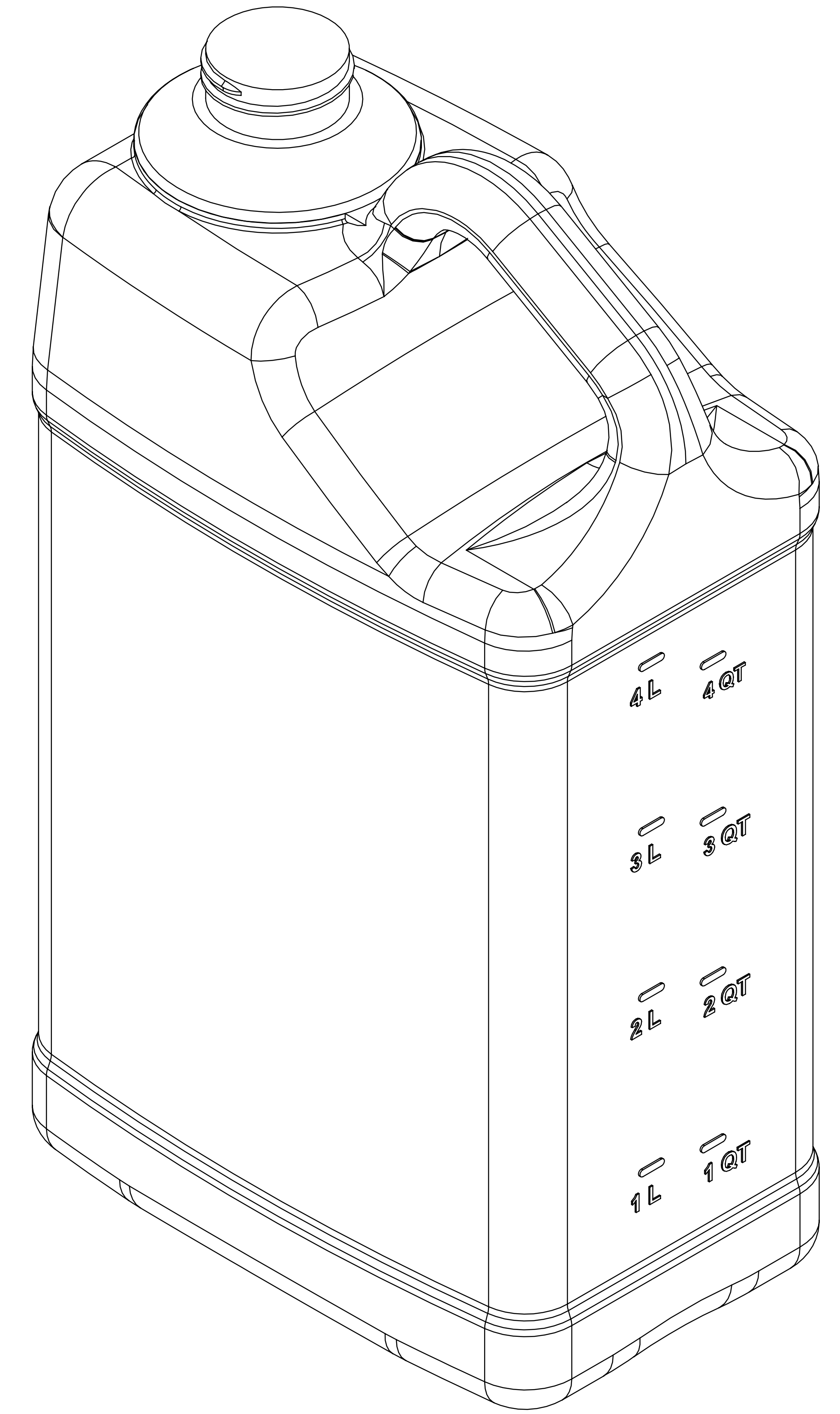
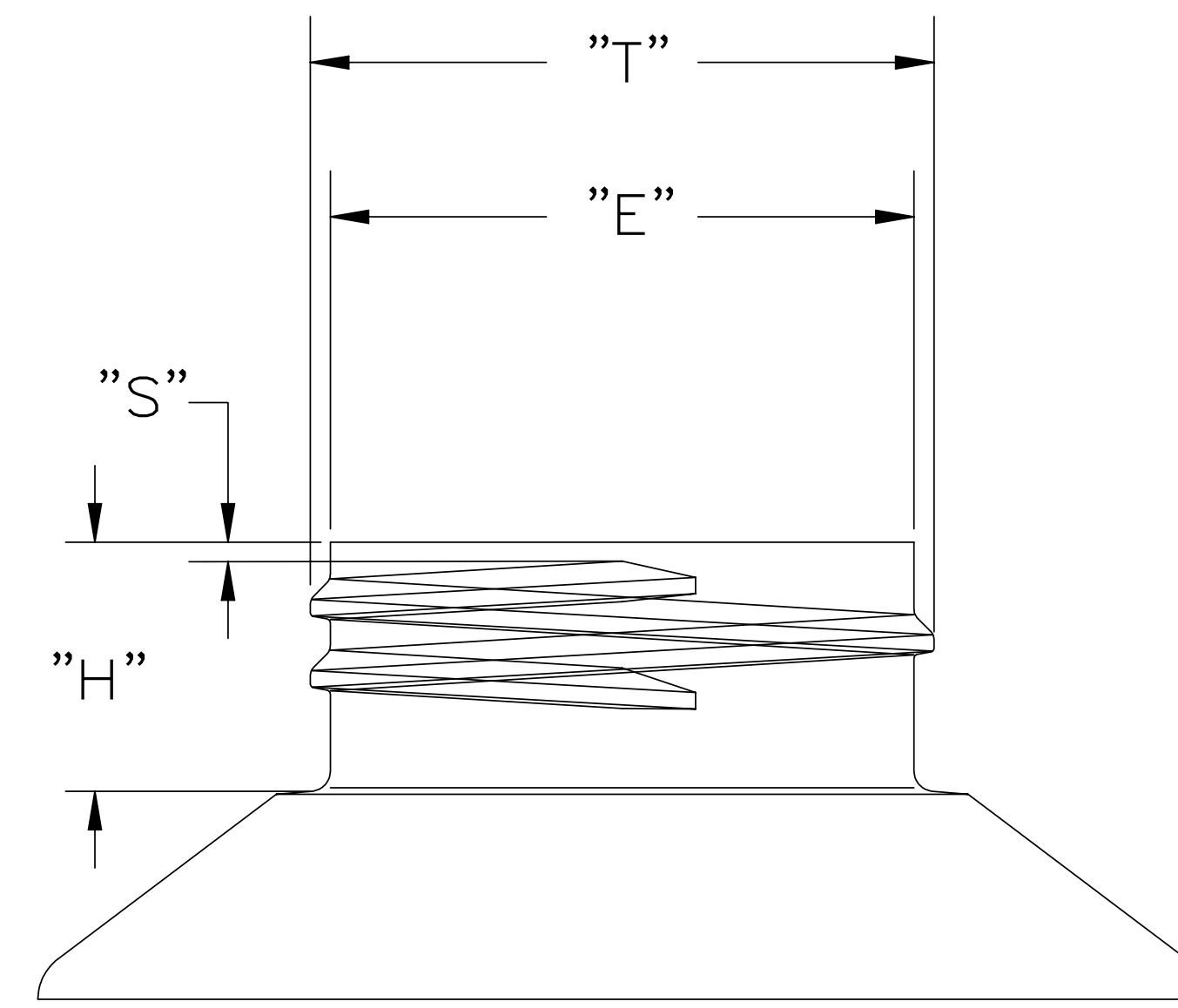


38MM-400 NECK FINISH  
 MODIFIED BUTTRESS THREAD,  
 6 T.P.I., x 1 1/2 FULL TURN OF THD.

"T" DIA. = 1.476/1.464/1.452  
 "E" DIA. = 1.382/1.370/1.358  
 "S" = .061/.046/.031  
 "H" = .600/.585/.570



NOTES:  
 1. OVERFLOW CAPACITY = 180 FL/OZ.  
 2. MATERIAL = H.D.P.E.

**DISCLAIMER**

THIS INFORMATION IS PROVIDED AS A GENERAL GUIDE, INCLUDING DIMENSIONS. IT IS THE CUSTOMER'S RESPONSIBILITIES TO SELECT THE PROPER CONTAINER FOR PRODUCT AND APPLICATION COMPATIBILITY.

DISTRIBUTED BY:



REF NO.:

DWG30710

DESCRIPTION:

5 liter Natural HDPE Slant Handle F-Style, 38-400, 170 Gram