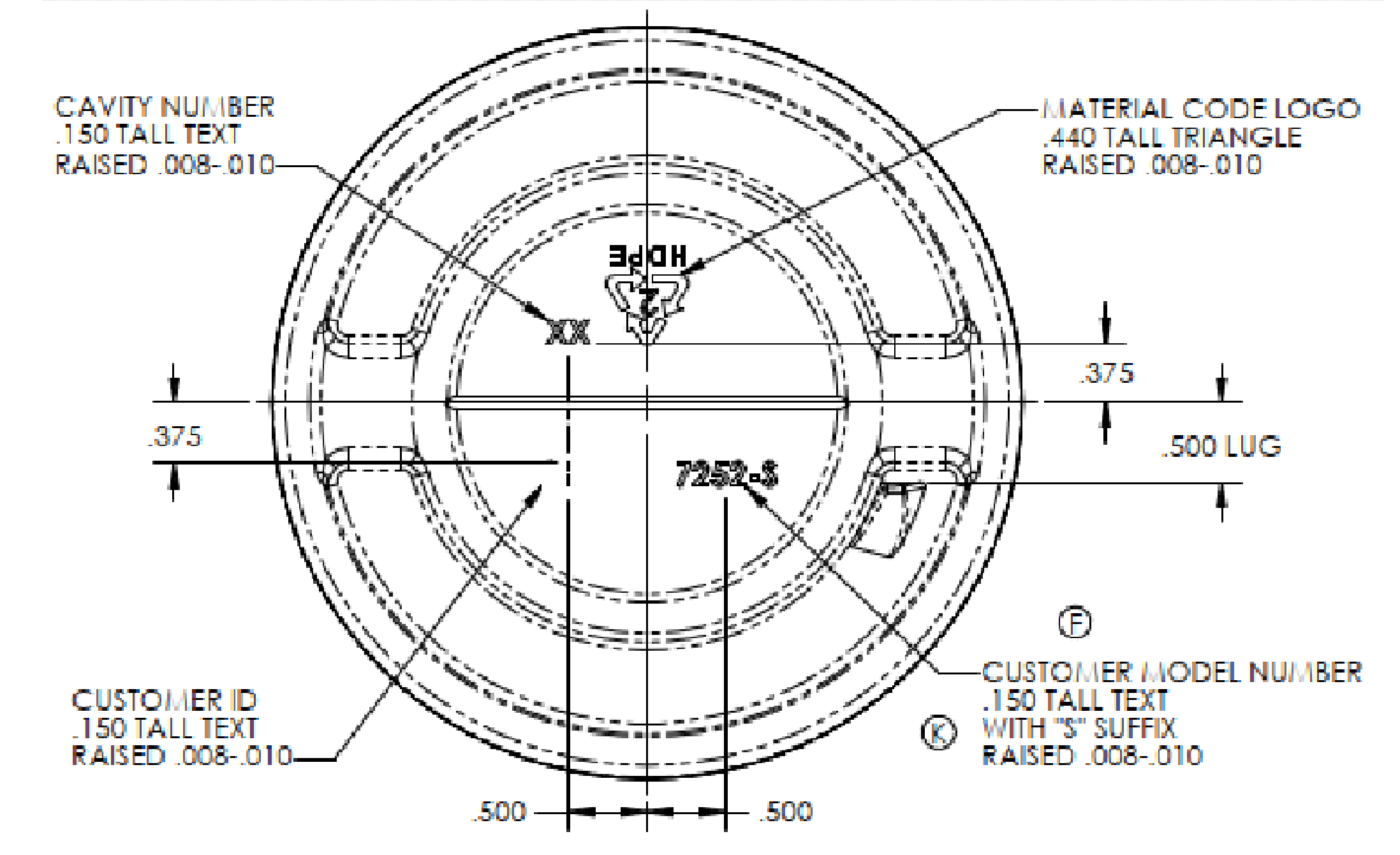
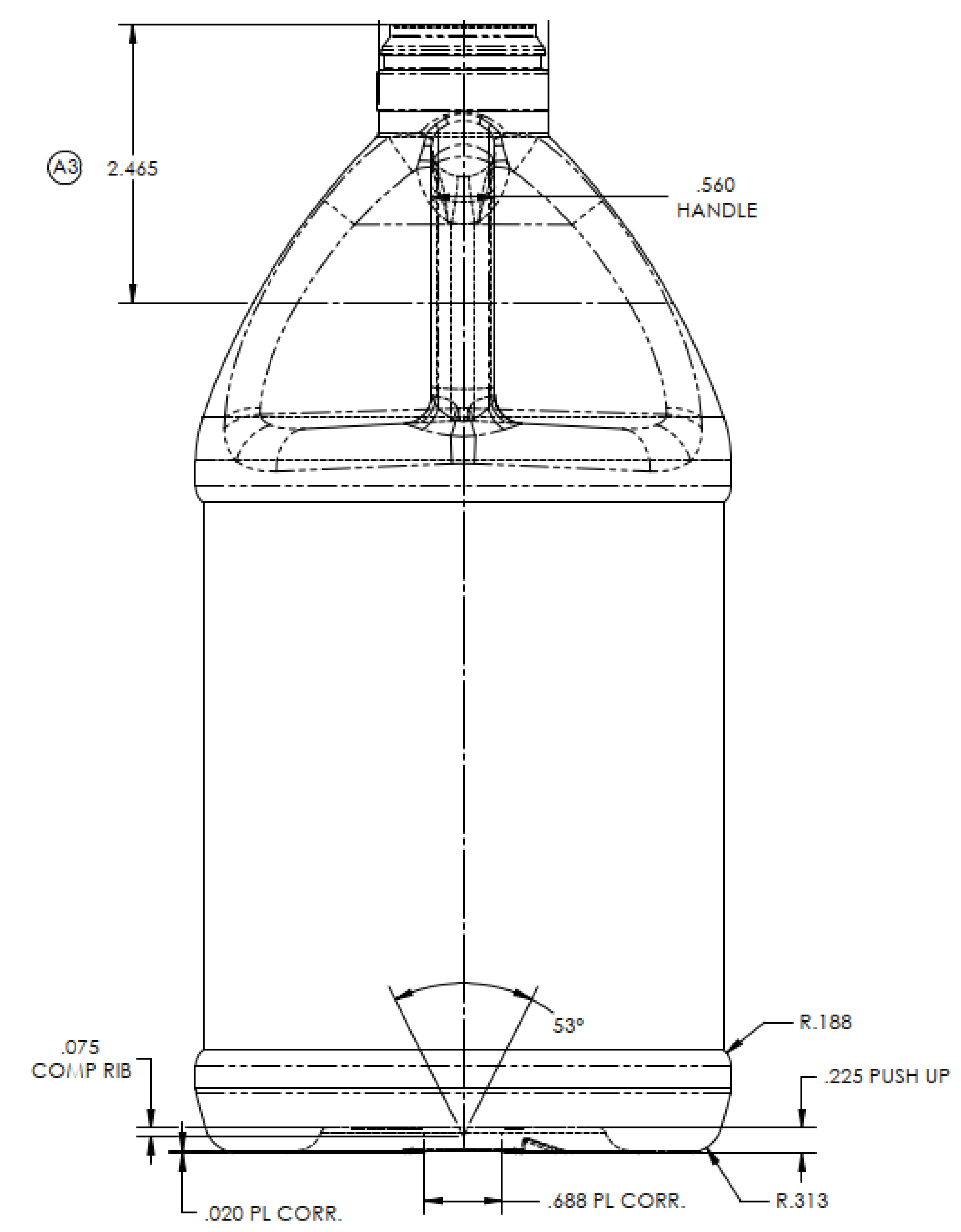
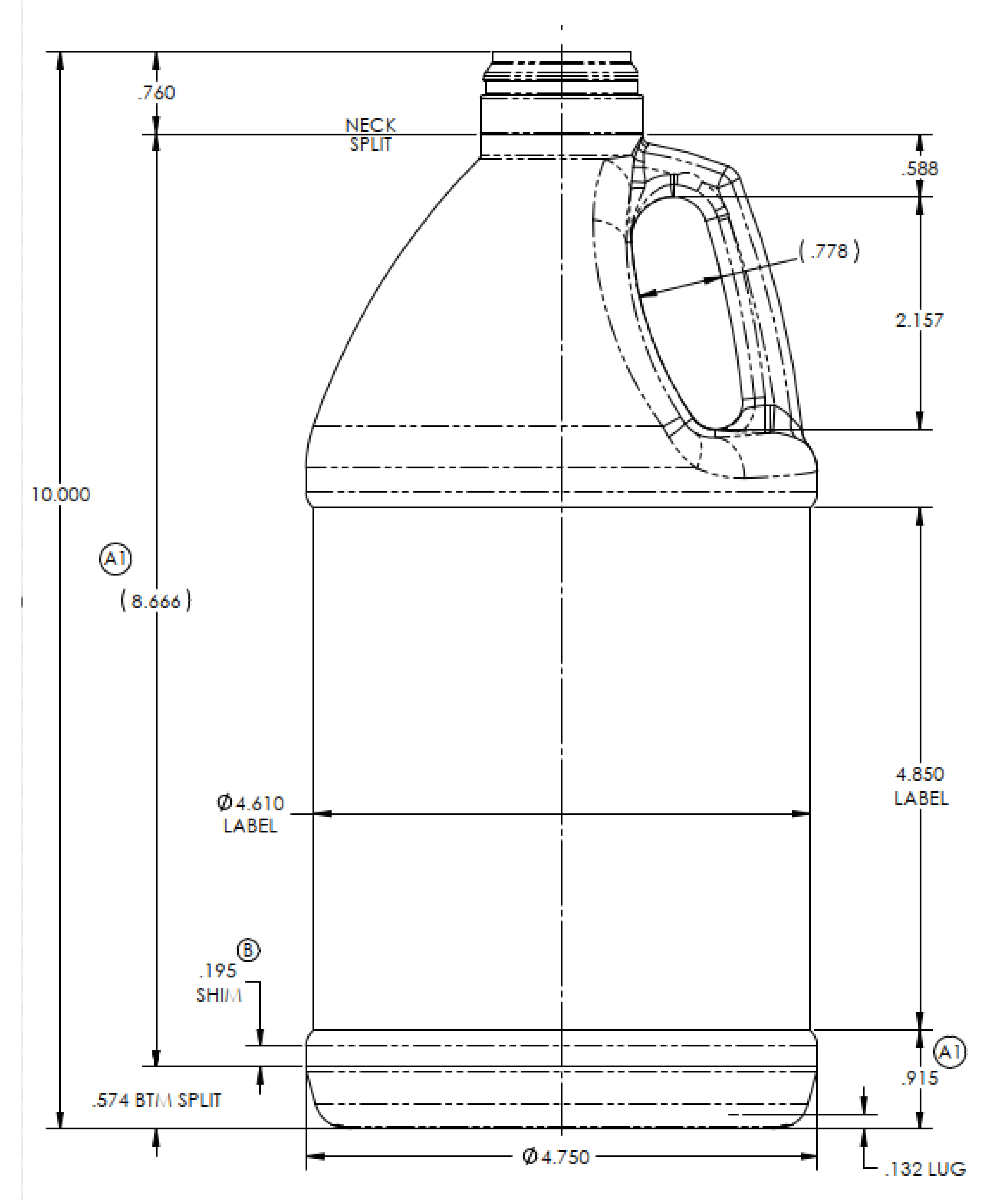



- NOTES:  
 1) "I" STYLE THREAD  
 2) THREAD START AT CL IN PIN HALF  
 3) ONE FULL TURN OF THREAD AT FULL DEPTH  
 4) 6 THREADS PER INCH



- Notes:  
 1) Container Weight -- 65 ±3 grams  
 2) Material -- HDPE  
 3) Overflow Capacity -- 68.4 oz.  
 4) Fill Capacity -- 64.0 oz.  
 5) Tolerances Unless Specified:  
 Vertical -- ±.060"  
 Horizontal -- ±.080"  
 Volumetric -- ±.81 oz.  
 6) Bottles to be Checked Aged with 20°C Water  
 7) Estimated Bulge -- None

<b>DISCLAIMER</b> THIS INFORMATION IS PROVIDED AS A GENERAL GUIDE, INCLUDING DIMENSIONS. IT IS THE CUSTOMER'S RESPONSIBILITIES TO SELECT THE PROPER CONTAINER FOR PRODUCT AND APPLICATION COMPATIBILITY.	DISTRIBUTED BY: 	REF NO.: DWG30738
	DESCRIPTION: 64 oz HDPE Industrial Round, 38-400 with Label Panel	