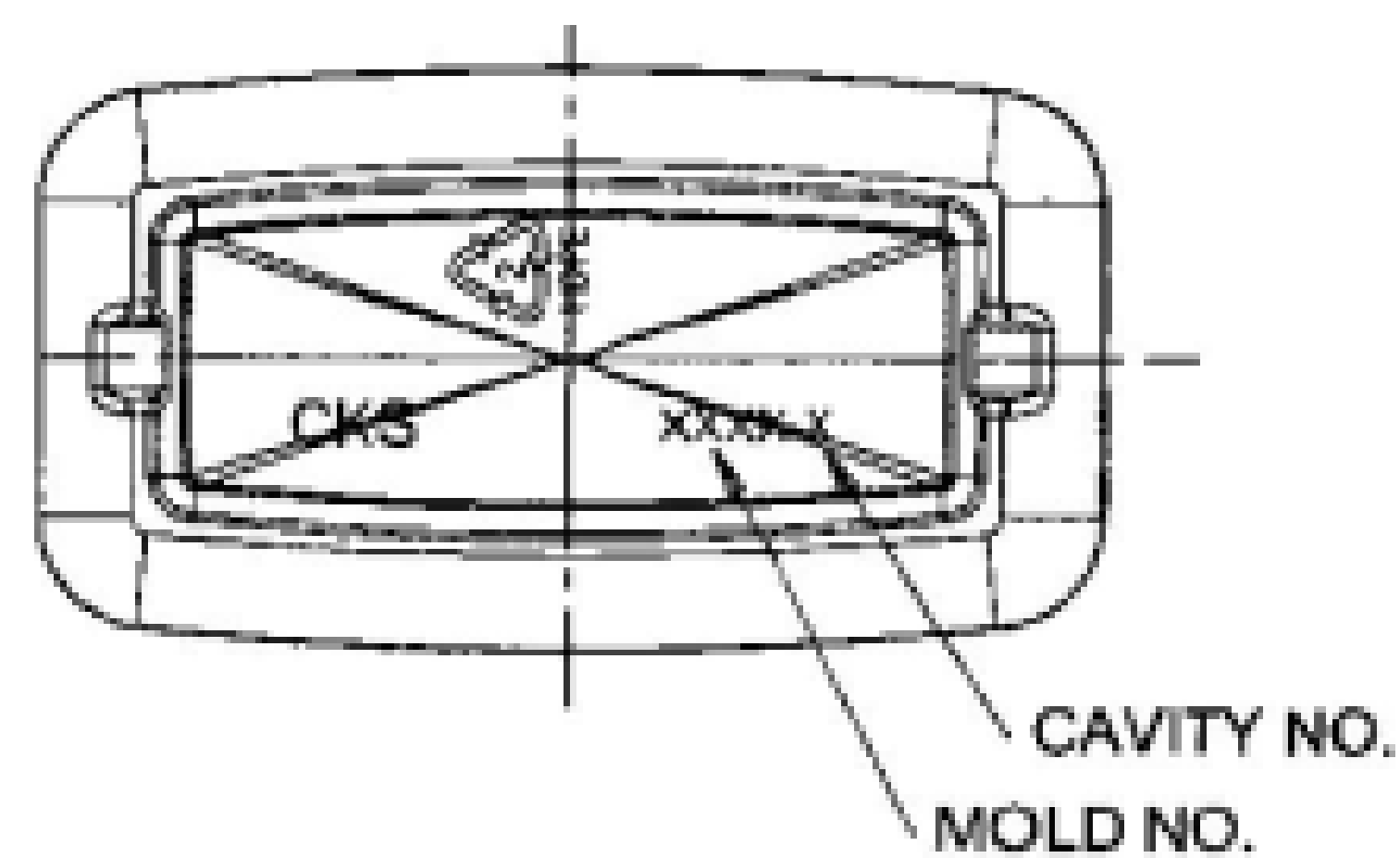


ALTERNAT NECK SHOWN  
FROM 7550-S2



- NOTES:**
1. SCALE: 1:1
  2. STANDARD S.P.I. TOLERANCES APPLY
  3. MATERIAL: HDPE
  4. GRAM WT.: 50 ± 2 GRAMS
  5. OVERFLOW CAPACITY: 1028 ± 15 CC  
34.76 ± .51 FL OZ
  6. ESTIMATED BULGE: 25 CC

**DISCLAIMER**

THIS INFORMATION IS PROVIDED AS A GENERAL GUIDE, INCLUDING DIMENSIONS. IT IS THE CUSTOMER'S RESPONSIBILITIES TO SELECT THE PROPER CONTAINER FOR PRODUCT AND APPLICATION COMPATIBILITY.

DISTRIBUTED BY:



REF NO.:

DWG31561

DESCRIPTION:

32 oz Gray HDPE Oil Bottle with Graduations and View Stripe, 28 mm Neck Drop-loc, 50 Gram