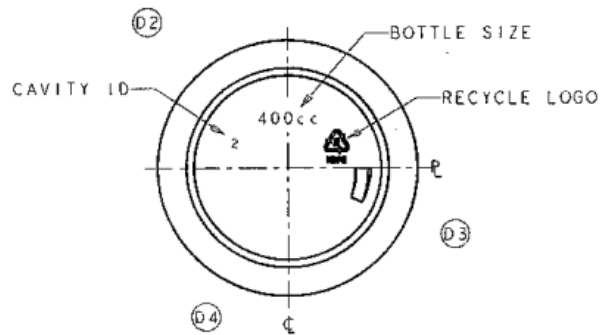


FINISH DETAIL
SCALE 5:1



NOTES:

- 1) NECK FINISH - M53SP400 6 T.P.I.
1 FULL TURN OF THREAD
- 2) MIN. WALL .015
- 3) REF. TITAN DWG. # B-05-94-06
- 4) 32.4 NAT / 33.0 WHT GRAMS±2.0

DISCLAIMER

THIS INFORMATION IS PROVIDED AS A GENERAL GUIDE, INCLUDING DIMENSIONS. IT IS THE CUSTOMER'S RESPONSIBILITIES TO SELECT THE PROPER CONTAINER FOR PRODUCT AND APPLICATION COMPATIBILITY.

DISTRIBUTED BY:



REF NO.:

DWG30768

DESCRIPTION:

400 cc White HDPE Packer, 53-400, 33 Gram