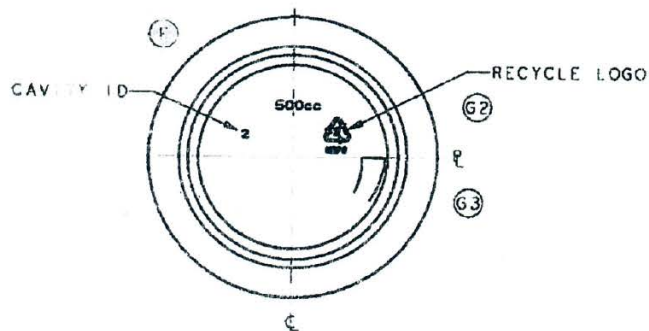
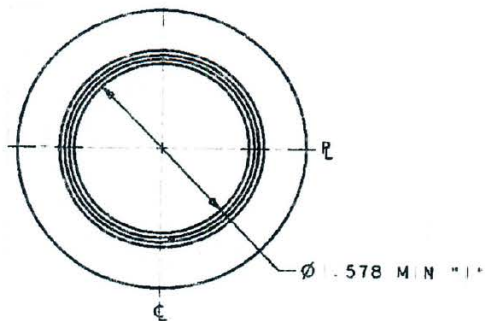


FINISH DETAIL
SCALE 5:1



NOTES:

- 1) NECK FINISH - M53SP400 6 TPI
1 FULL TURN OF THREAD
- 2) REF. TITAN DWG. # B-07-95-01
- 3) 36.0 NAT / 36.7 WHT GRAMS ± 2.5
- 4) MIN WALL THICKNESS .05

DISCLAIMER

THIS INFORMATION IS PROVIDED AS A GENERAL GUIDE, INCLUDING DIMENSIONS. IT IS THE CUSTOMER'S RESPONSIBILITIES TO SELECT THE PROPER CONTAINER FOR PRODUCT AND APPLICATION COMPATIBILITY.

DISTRIBUTED BY:



REF NO.:

DESCRIPTION: