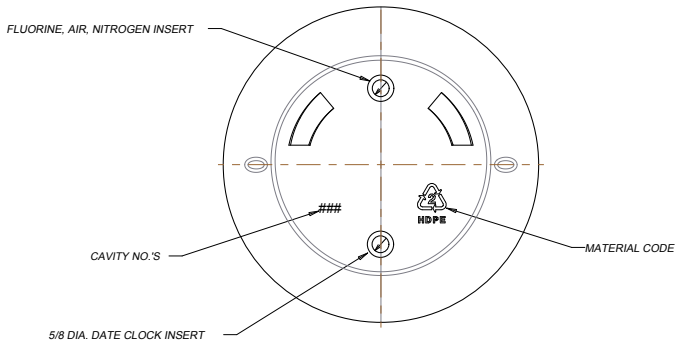
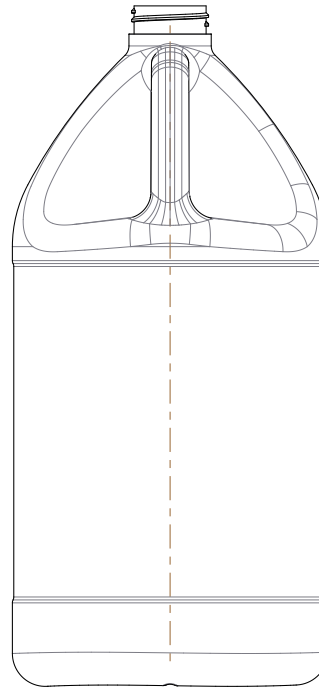
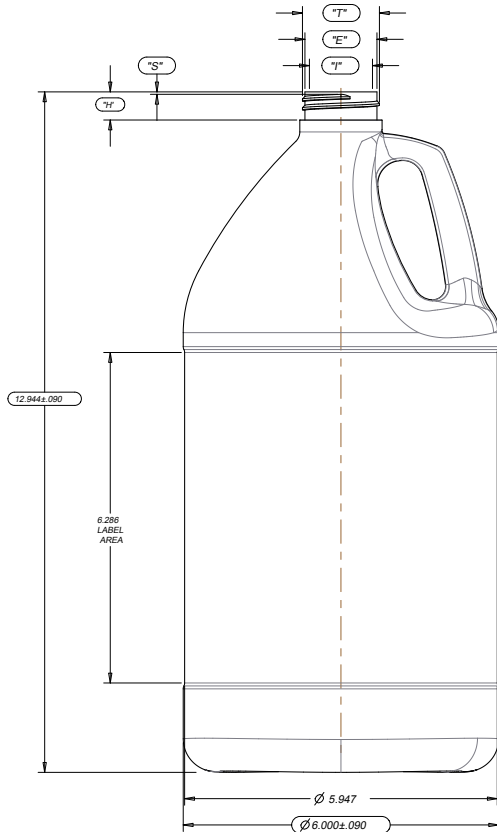
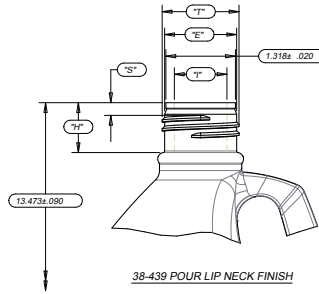
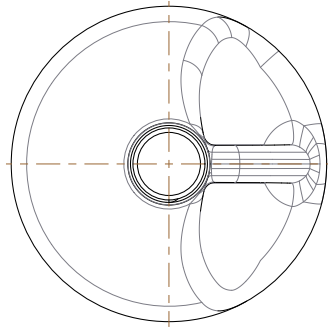


NECK FINISH	BOTTLE WEIGHT (± 5.0GR)	OVERFLOW CAPACITY (± 44.0CC)	"T" DIA	"E" DIA	"H" DIM	"S" DIM	"I" DIA
38-439 POUR LIP	180.0	4424.5	1.476 1.446	1.382 1.352	.961 .931	.251 .231	.875 MIN.



DISTRIBUTED BY:



REF NO.:

DWG30771

DESCRIPTION:

4 liter Natural HDPE Round, 38-439, 180 Gram

DISCLAIMER

THIS INFORMATION IS PROVIDED AS A GENERAL GUIDE, INCLUDING DIMENSIONS. IT IS THE CUSTOMER'S RESPONSIBILITIES TO SELECT THE PROPER CONTAINER FOR PRODUCT AND APPLICATION COMPATIBILITY.