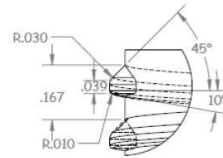
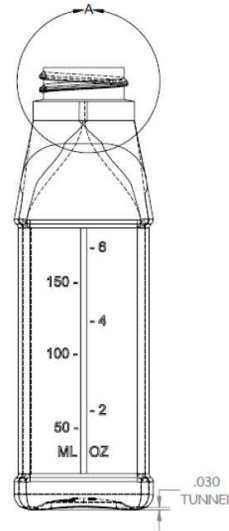
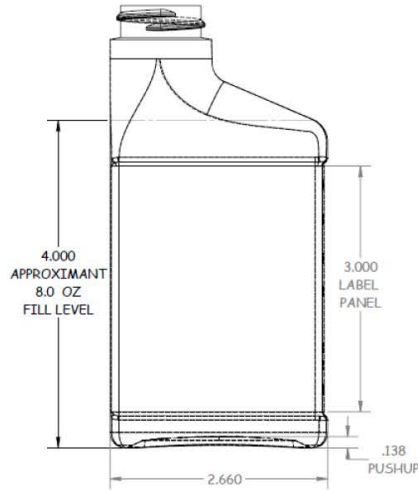
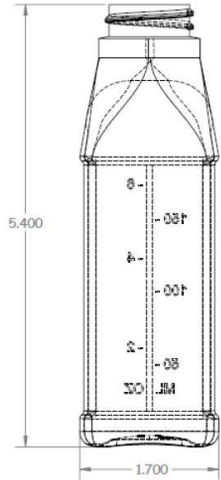
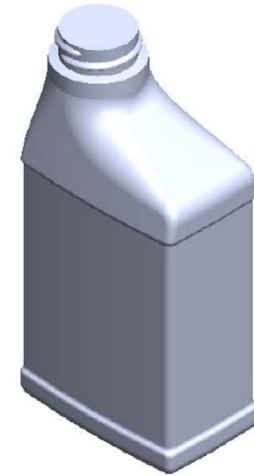


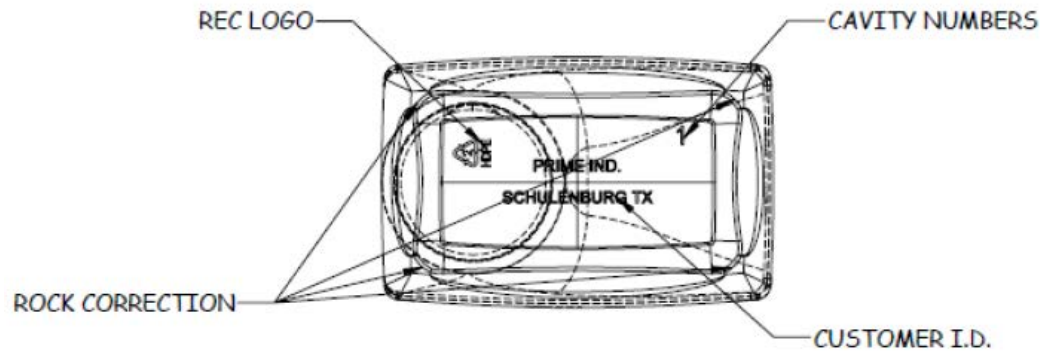
DETAIL A
SCALE 2 : 1



DETAIL B
SCALE 4 : 1



1. NOTES:
2. FINISH: M28-SP400
3. 6 T.P.I 1 FULL TURN OF THREAD
4. MATERIAL: H.D.P.E.
5. GRAM WT: 25.0 ±1 GRAM
6. OVERFLOW CAPACITY: 9.216 FL OZ
7. STANDARD S.P.I TOLERANCES
8. APPLY TO ALL BODY DIMENSIONS



DISCLAIMER

THIS INFORMATION IS PROVIDED AS A GENERAL GUIDE, INCLUDING DIMENSIONS. IT IS THE CUSTOMER'S RESPONSIBILITIES TO SELECT THE PROPER CONTAINER FOR PRODUCT AND APPLICATION COMPATIBILITY.

DISTRIBUTED BY:



REF NO.:

DESCRIPTION: