

BOTTLE 24 OZ. PSE/MILLIKEN W/RATCHET		PACK			
NECK FINISH:	28/400 RATCHET	BOX:	C001024	NECK	UP
WEIGHT:	40 +/- 2	PACK:	BULK PACK	PLASTIC BAG:	YES - B160025
COLOR:	WHITE K020538 2% SETTING K020538	TURN BOX SIDEWAYS - STAGGERED PACK			
MATERIAL:	HDPE DOW 6230 WITH 25% PCR	6 BOTTLES ACROSS X 7 ROWS - 5 ACROSS TOP X 2 LAYERS			
LECTRO TREAT	YES	COUNT:	84 - 1		
		STACK BOXES	4 PER LAYER x 5 HIGH AND FULL WRAP		

SPECIFICATIONS

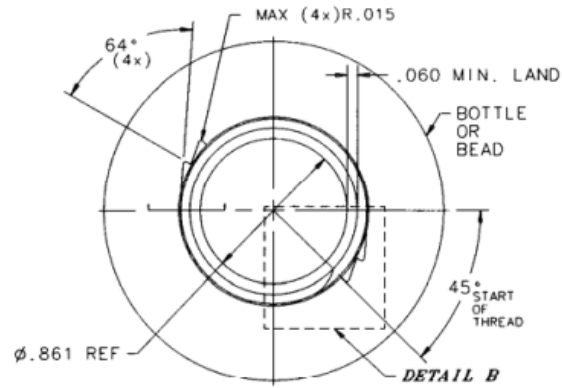
NECK FINISH:			BOTTLE DIMENSIONS				
	MIN.	SPEC.	MAX.		MIN.	SPEC.	MAX.
" H " DIM.	0.685	0.700	0.715	OA HEIGHT			
" S " DIM.	0.015	0.030	0.045	S/SW			
" T " DIM.	1.068	1.078	1.088	F/BW			
" E " DIM.	0.971	0.981	0.991	LABEL PANEL			
" I " DIM.	.820"	.840"	0.861	FILL LINE			
LAND WIDTH	.060"			OVERFLOW			
RATCHET DIA.	1.195	1.205	1.215	CAPACITY	24 OZ.		
				WALL THICK	0.015	WALL VAR.	0.010
				TOP LOAD	15 LBS		
				DROP TEST			
				LECTRO TREAT	YES		



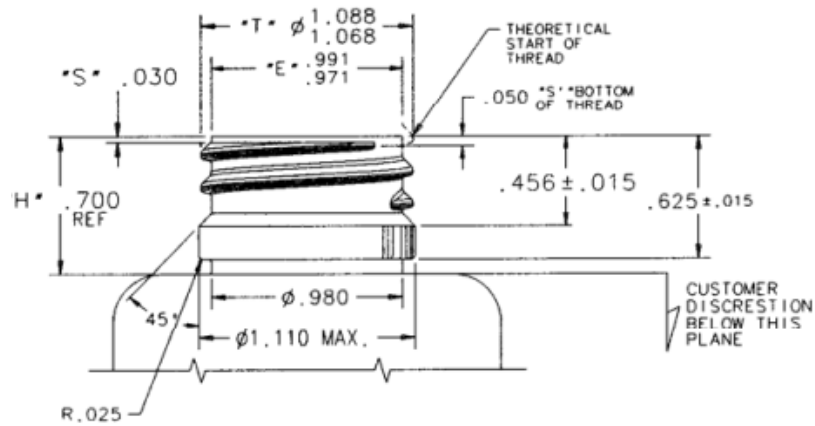
DISCLAIMER

THIS INFORMATION IS PROVIDED AS A GENERAL GUIDE, INCLUDING DIMENSIONS. IT IS THE CUSTOMER'S RESPONSIBILITIES TO SELECT THE PROPER CONTAINER FOR PRODUCT AND APPLICATION COMPATIBILITY.

DISTRIBUTED BY:		REF NO.:
DESCRIPTION:		DWG30773
24 oz White HDPE Delta Round, 28-400, 40 Gram		



TOP VIEW



FRONT VIEW

NOTES:

1. FINISH: 28 MM SPECIAL 6 TPI, .167 PITCH, "M" STYLE THREAD, 1 3/4 TURNS OF THREAD MINIMUM.
2. CLOSURE IS DESIGNED FOR 28-400 BOTTLE FINISH WITH EXTENDED 'SKIRT' FOR RATCHETS.
3. STATED DIMENSIONS ARE ONLY GUIDELINES TO ASSIST CUSTOMERS IN THE DEVELOPMENT OF REQUIRED NECK FINISHES. EVERY BOTTLE DESIGN NEEDS TO BE PROTOTYPED AND TORQUE EVALUATED PRIOR TO PRODUCTION.



DISCLAIMER

THIS INFORMATION IS PROVIDED AS A GENERAL GUIDE, INCLUDING DIMENSIONS. IT IS THE CUSTOMER'S RESPONSIBILITIES TO SELECT THE PROPER CONTAINER FOR PRODUCT AND APPLICATION COMPATIBILITY.

DISTRIBUTED BY:



REF NO.:

DWG30773

DESCRIPTION:

24 oz White HDPE Delta Round, 28-400, 40 Gram