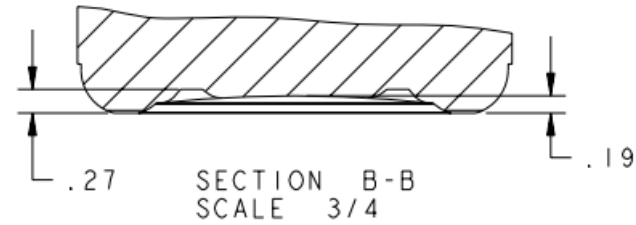
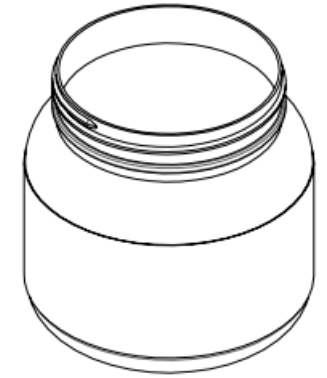
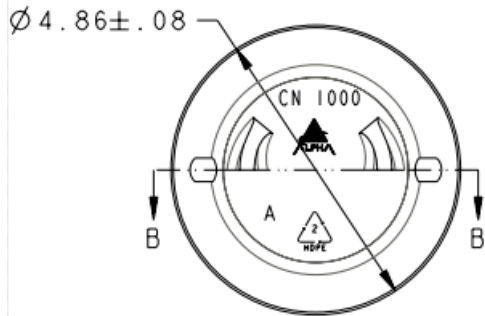


DETAIL A
SCALE 3/4



SECTION B-B
SCALE 3/4



	Min Thk	Color	Weight	Std. Pack
All measurements are in inches	.015	All Colors	55 Gms±3.5	120, Stack
Neck Dimensions:				
	T = 3.920±.018			
	E = 3.800±.018			
	H = .597±.015			
	I = 3.344 MIN			
	S = .060±.015			
			Overflow Capacity: 1200 ml ± 20	

DISCLAIMER

THIS INFORMATION IS PROVIDED AS A GENERAL GUIDE, INCLUDING DIMENSIONS. IT IS THE CUSTOMER'S RESPONSIBILITIES TO SELECT THE PROPER CONTAINER FOR PRODUCT AND APPLICATION COMPATIBILITY.

DISTRIBUTED BY:



REF NO.:

DWG30787

DESCRIPTION:

1000 cc White HDPE Packer, 100-400