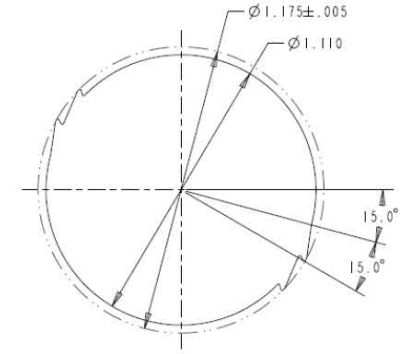
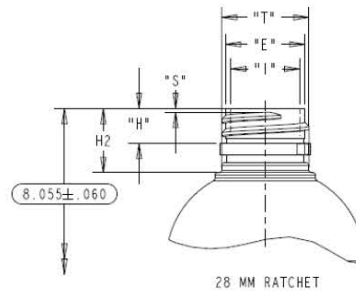
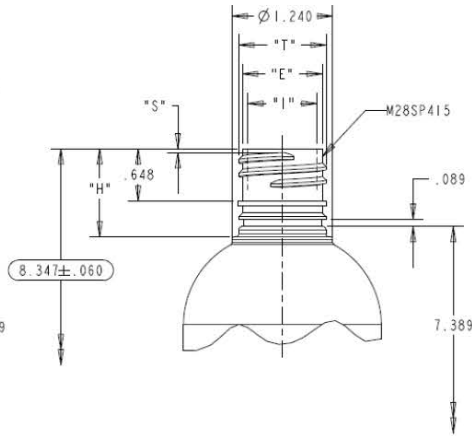
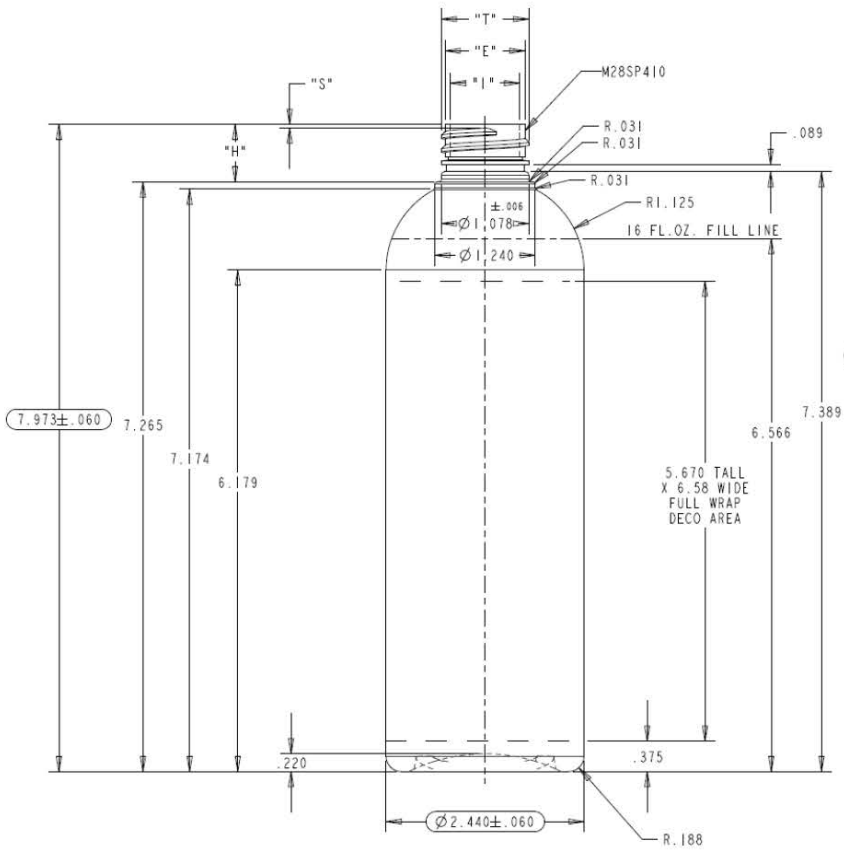
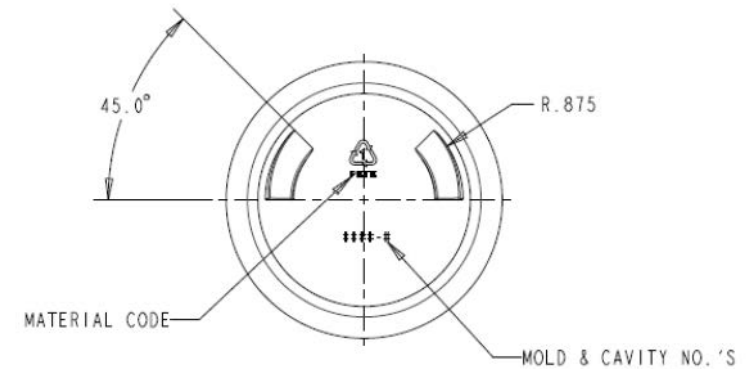


NECK FINISH	BOTTLE WEIGHT (±1.5GR)	OVERFLOW CAPACITY (±9.0CC)	"T" DIA	"E" DIA	"H" DIM	"H2" DIM	"S" DIM	"I" DIA	MIN WALL THICKNESS
M28SP410	36.5 31.0	511.5 515.5	1.088 1.068	.994 .974	.723 .693	---	.061 .031	.614 MIN.	.008
M28SP415	35.5	515.0	1.088 1.068	.994 .974	1.097 1.067	---	.061 .031	.614 MIN.	.008
28MM RATCHET	36.4 31.0	510.0 514.1	1.087 1.067	.991 .971	.445 .415	.805 .775	.061 .031	.614 MIN	.008



RATCHET DETAIL
SCALE 3 : 1



DISCLAIMER

THIS INFORMATION IS PROVIDED AS A GENERAL GUIDE, INCLUDING DIMENSIONS. IT IS THE CUSTOMER'S RESPONSIBILITIES TO SELECT THE PROPER CONTAINER FOR PRODUCT AND APPLICATION COMPATIBILITY.

DISTRIBUTED BY:



REF NO.:

DESCRIPTION: