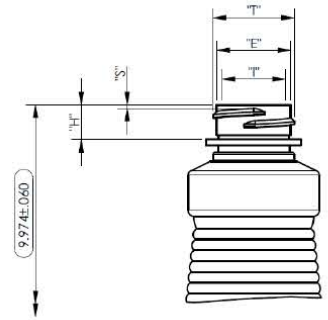
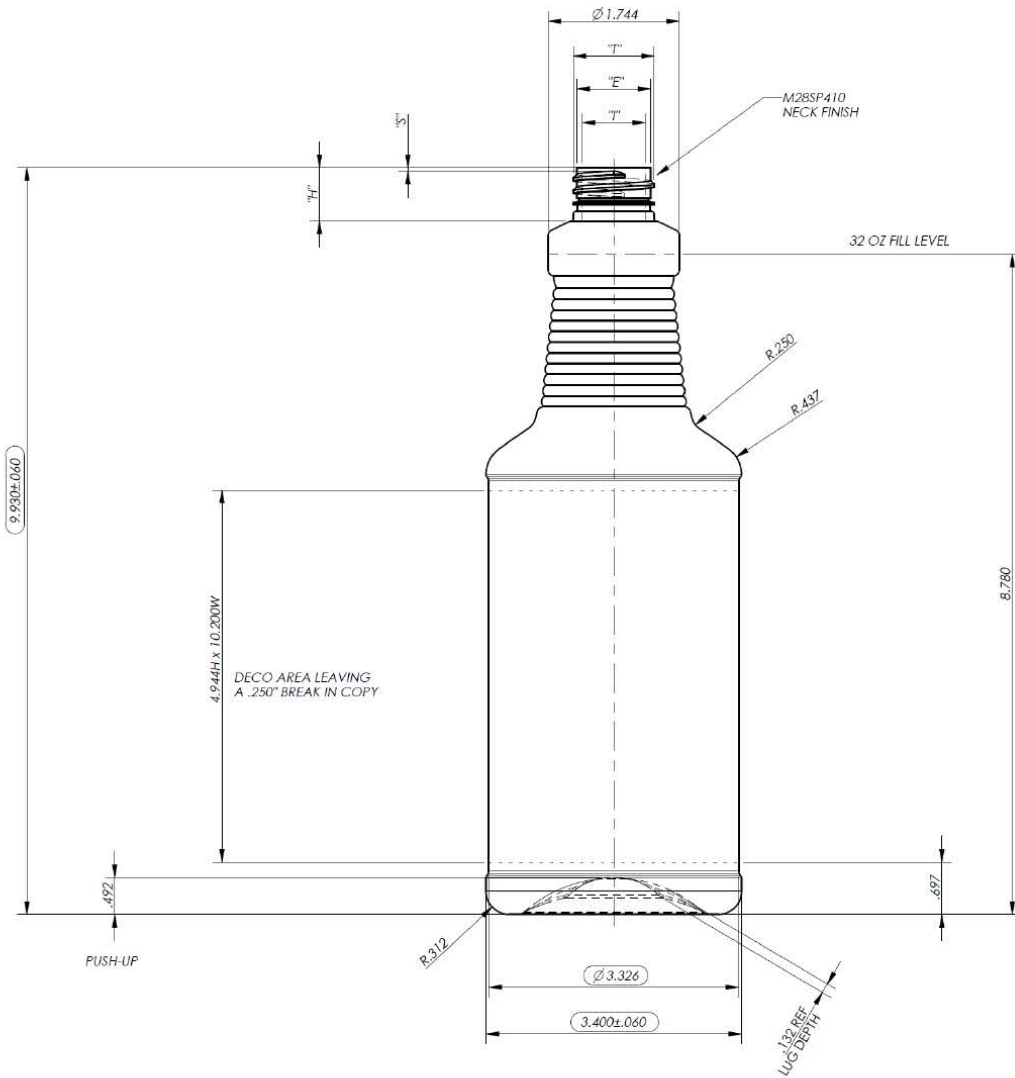
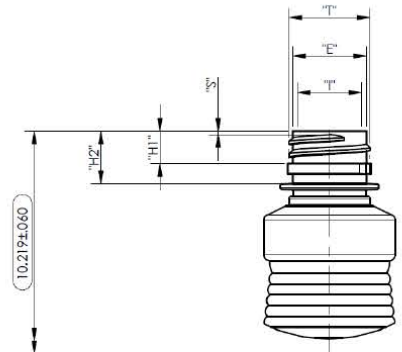


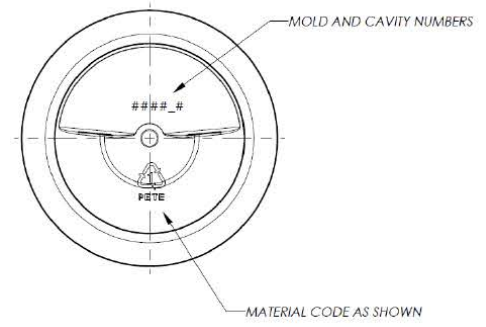
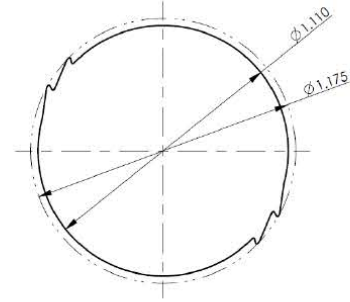
NECK FINISH	BOTTLE WEIGHT (±2.0GR)	OVERFLOW CAPACITY (±11.0CC)	"T" DIA	"E" DIA	"H" DIM	"H2" DIM	"S" DIM	"T" DIA	MATERIAL
M28SP410	41.0	979.0	1.088 1.068	.994 .974	.723 .693	---	.061 .031	.614 MIN	PETE
28MM RATCHET	48.9	977.6	1.087 1.067	.991 .971	.445 .415	.715 .685	.061 .031	.614 MIN	
28-400SW	49.9	976.0	1.088 1.068	.994 .974	.475 .445	---	.061 .031	.614 MIN	



28-400SW NECK FINISH



28MM RATCHET



DISCLAIMER

THIS INFORMATION IS PROVIDED AS A GENERAL GUIDE, INCLUDING DIMENSIONS. IT IS THE CUSTOMER'S RESPONSIBILITIES TO SELECT THE PROPER CONTAINER FOR PRODUCT AND APPLICATION COMPATIBILITY.

DISTRIBUTED BY:



REF NO.:

DESCRIPTION: