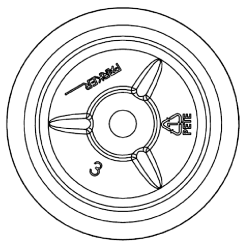
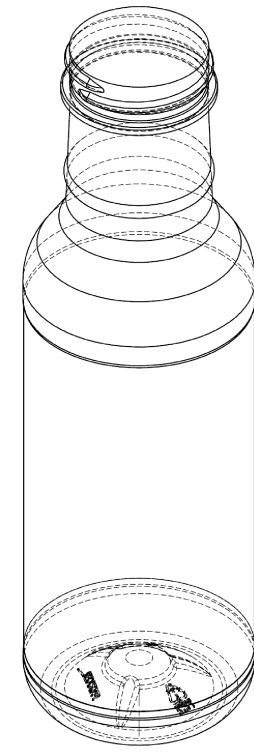
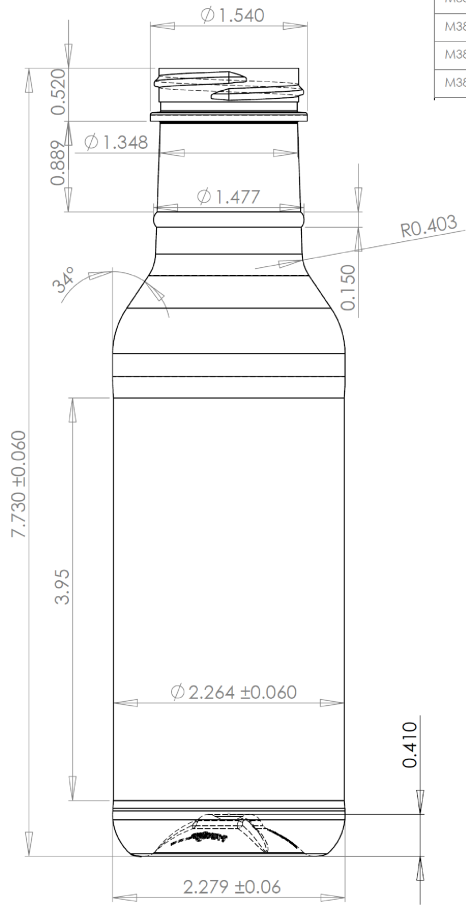


NECK FINISH	PREFORM DRAWING No.	BOTTLE WEIGHT	OVERFLOW CAPACITY	FILL LEVEL (APPROX.)	LINEAR STRETCH RATIO	WIDTH STRETCH RATIO	F to B STRETCH RATIO	MATERIAL
M38 SP400	R-211389-P-C	24gr	392±11ml	1.62	2.84:1	2.54:1	2.54:1	PETE
M38 SP400	P-1633	32gr	386±11ml	1.42	2.31:1	2.03:1	2.03:1	PETE
M38 SP400	R-211189-P-B	38.5gr	381±9ml	1.25	2.02:1	2.02:1	2.02:1	PETE
M38 SP400	PS-514202-C-A	41gr	379±9ml	1.17	2.03:1	2.07:1	2.07:1	PETE
M38 SP400	S-205505-C-A	48gr	374±9ml	0.95	1.63:1	2.22:1	2.22:1	PETE
M38 SP400	R-211188-P-A	30gr	387±9ml	1.5	2.38:1	2.56:1	2.56:1	PETE



**DISCLAIMER**

THIS INFORMATION IS PROVIDED AS A GENERAL GUIDE, INCLUDING DIMENSIONS. IT IS THE CUSTOMER'S RESPONSIBILITIES TO SELECT THE PROPER CONTAINER FOR PRODUCT AND APPLICATION COMPATIBILITY.

DISTRIBUTED BY:  Pipeline Packaging

REF NO.:  
DWG10332

DESCRIPTION:  
12 oz PET Long Neck Cylinder