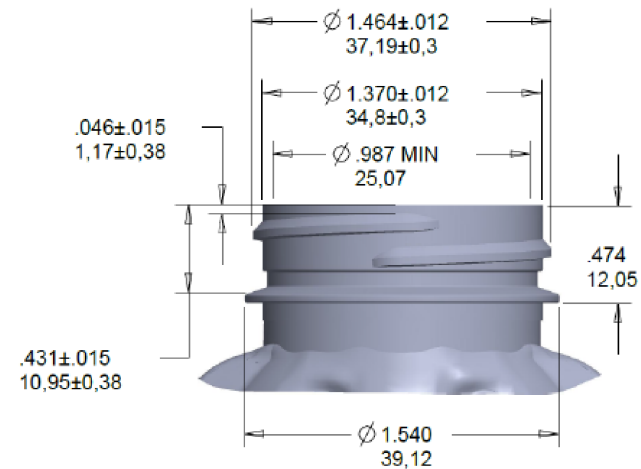
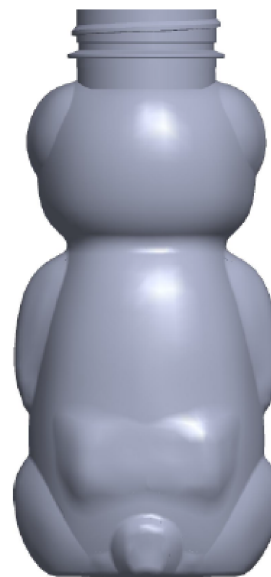


SEE DETAIL A



DETAIL A  
M38-400 SPECIAL "H"  
6 TPI, 1 THREAD TURN  
.250 "I" DEPTH  
SCALE 2.000



**DISCLAIMER**

THIS INFORMATION IS PROVIDED AS A GENERAL GUIDE, INCLUDING DIMENSIONS. IT IS THE CUSTOMER'S RESPONSIBILITIES TO SELECT THE PROPER CONTAINER FOR PRODUCT AND APPLICATION COMPATIBILITY.

DISTRIBUTED BY:



DWG NO.:

DWG10074

DESCRIPTION:

8 oz PET Honey Bear, 38-400