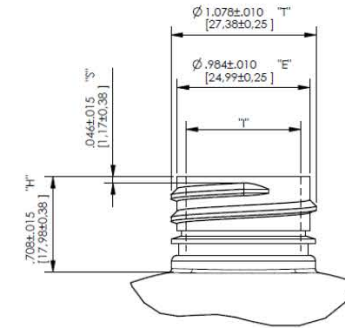
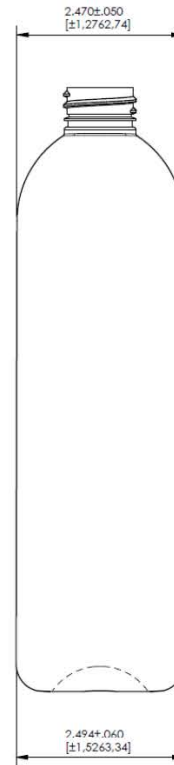
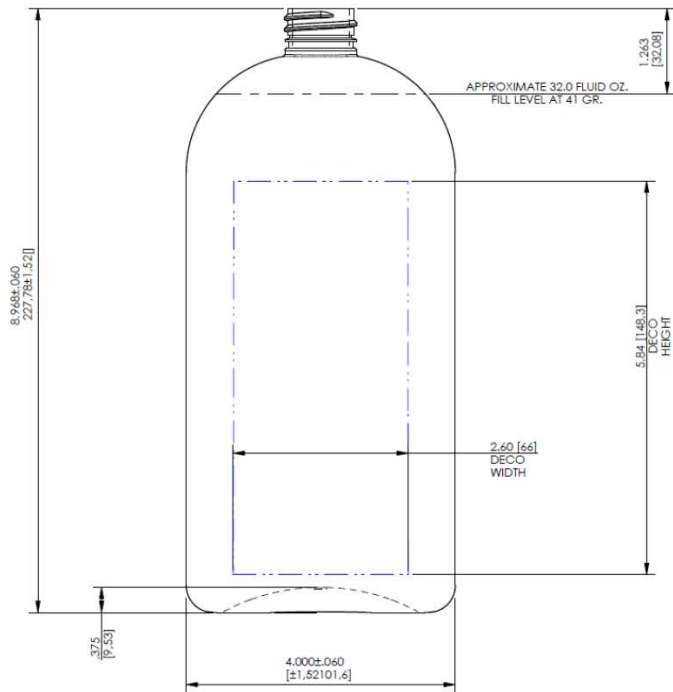
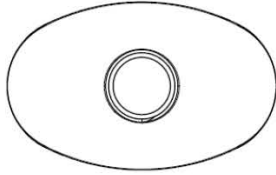
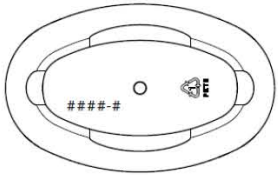


NECK FINISH	BOTTLE WEIGHT (±1.5GR)	OVERFLOW CAPACITY (±15 CC)	"T" DIA	"E" DIA	"H" DIM	"S" DIM	"T" DIA	MATERIAL
M28SP410	41.0	980.0	1.088 [27.64] 1.068 [27.13]	.994 [25.25] .974 [24.74]	.723 [18.36] .693 [17.6]	.061 [1.55] .031 [0.79]	.614 [15.6] MIN	PETE

DIMENSIONS IN [] ARE METRIC



DETAIL NECK DETAIL
SCALE 2.000



DISCLAIMER

THIS INFORMATION IS PROVIDED AS A GENERAL GUIDE, INCLUDING DIMENSIONS. IT IS THE CUSTOMER'S RESPONSIBILITIES TO SELECT THE PROPER CONTAINER FOR PRODUCT AND APPLICATION COMPATIBILITY.

DISTRIBUTED BY:



REF NO.:

DESCRIPTION: