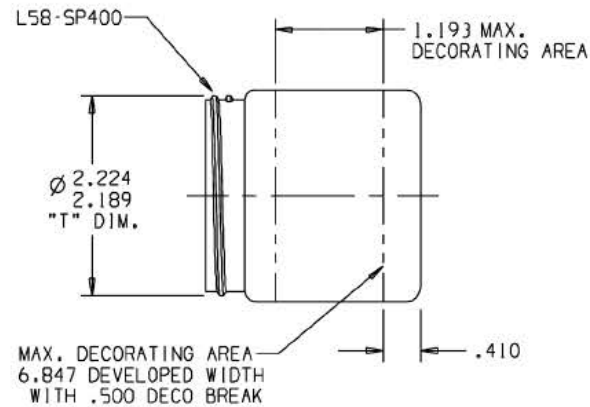


NOTES :

- 1) OVERFLOW CAPACITY : 4.90 ± .17 FL.OZ.
(144.9 ± 5.0 CC'S.)
- 2) WEIGHT : 18.9 ± 1.5 GRAMS



DISCLAIMER

THIS INFORMATION IS PROVIDED AS A GENERAL GUIDE, INCLUDING DIMENSIONS. IT IS THE CUSTOMER'S RESPONSIBILITIES TO SELECT THE PROPER CONTAINER FOR PRODUCT AND APPLICATION COMPATIBILITY.

DISTRIBUTED BY:



REF NO.:

DESCRIPTION: