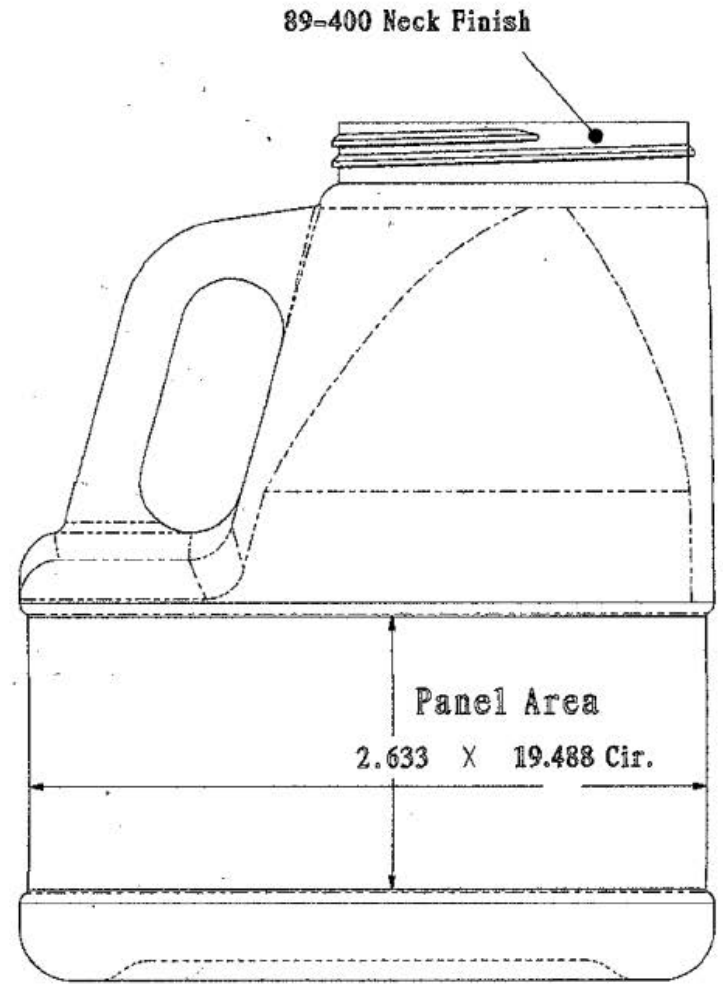
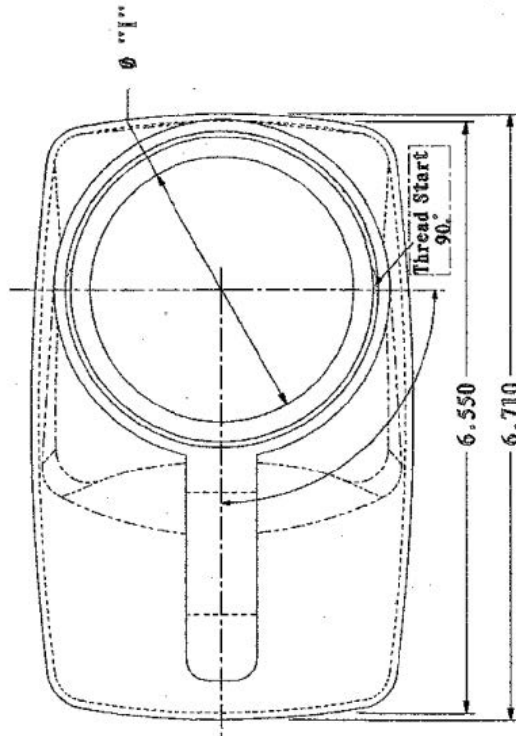


$T = 3.493 \pm .017$   
 $E = 3.3735 \pm .017$   
 $H = .535 \pm .015$   
 $S = .060 \pm .015$   
 $I = \text{min } 2.918 \text{ } \emptyset$



**DISCLAIMER**

THIS INFORMATION IS PROVIDED AS A GENERAL GUIDE, INCLUDING DIMENSIONS. IT IS THE CUSTOMER'S RESPONSIBILITIES TO SELECT THE PROPER CONTAINER FOR PRODUCT AND APPLICATION COMPATIBILITY.

DISTRIBUTED BY:



REF NO.:

DESCRIPTION: